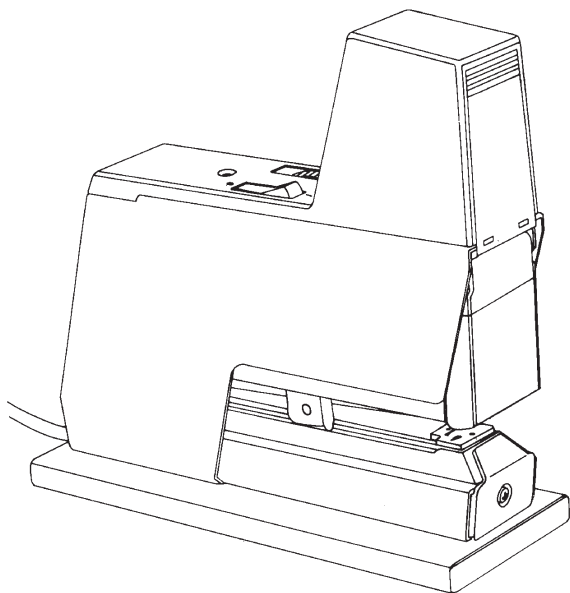


# Rapid 105E 106E



## **GB Operator's manual**

Read these instructions carefully and make sure you understand them before using the machine.

## **DE Bedienungsanweisung**

Lesen Sie die Bedienungsanweisung sorgfältig durch und machen Sie sich mit dem Inhalt vertraut, bevor Sie die Maschine benutzen.

## **FR Manuel d' utilisation**

Lire attentivement et bien assimiler le manuel d' utilisation avant de se servir de la machine

## **ES Manual para el usuario**

Lea estas instrucciones minuciosamente y asegúrese de comprenderlas antes de usar la grapadora.

## **IT Istruzioni per l'uso**

Prima di usare la cucitrice, leggere attentamente queste istruzioni per l'uso e comprenderne il contenuto.

## **NL Gebruiksaanwijzing**

Lees de gebruiksaanwijzing grondig door en vergevis u ervan dat u ze begrijpt voor u he apparaat in gebruik neemt.

## **PT Manual do utilizador**

Leia e compreenda o manual do utilizador antes de pôr o aparelho em funcionamento.

## **SE Bruksanvisning**

Läs och förstå bruksanvisningen innan apparaten används.

## **DK Brugervejledning**

Læs brugervejledningen nøje igennem, inden du bruger apparatet.

## **FI Käyttöohje**

Lue käyttöohje ja ymmärrä sen sisältö ennen kuin alat käyttää konetta.

## **GR Οδηγιών χρήσεως**

Μελετήστε και κατανοήστε τις οδηγίες χρήσεως πριν χρησιμοποιήσετε το μηχάνημα.

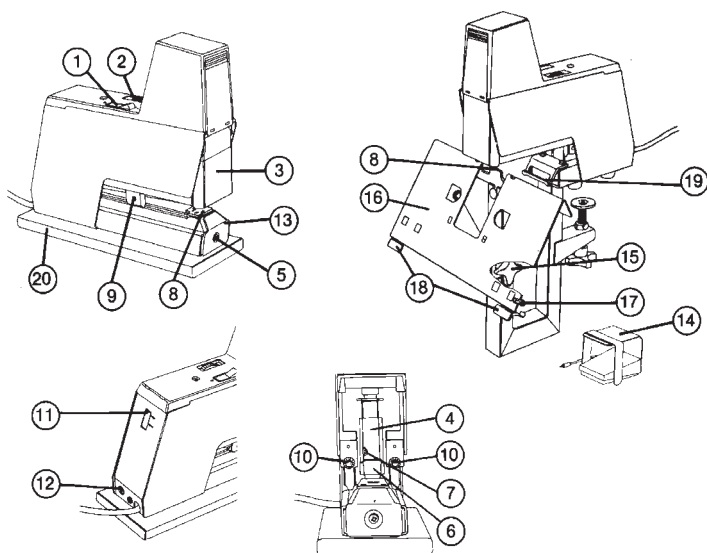
## **RU Инструкция по эксплуатации**

Перед работой с электрическим степлером внимательно прочитайте данную инструкцию и убедитесь, что она вам понятна.

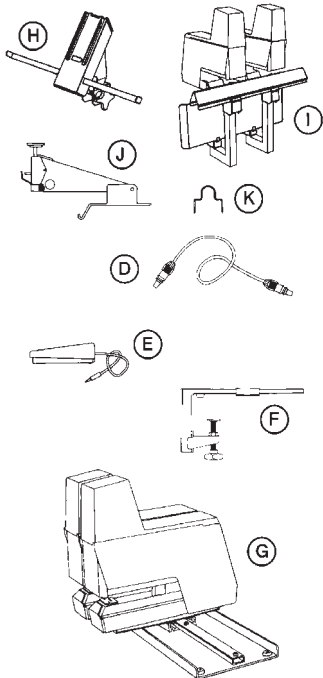
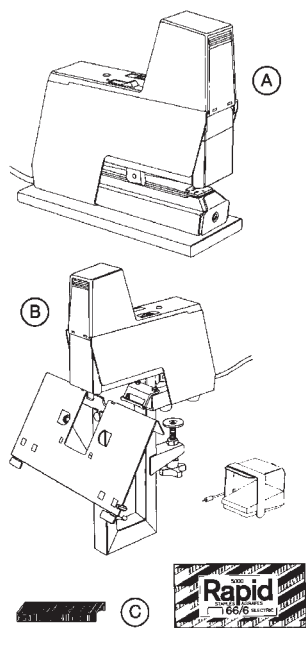
**Rapid**

ENGLISH .....	3-6
DEUTSCH .....	7-10
FRANCAIS .....	11-14
ESPAÑOL .....	15-18
ITALIANO .....	19-22
NEDERLANDS .....	23-26
PORTUGUES .....	27-30
SVENSKA .....	31-34
DANSK .....	35-38
SUOMI .....	39-42
ΕΛΛΗΝΙΚΑ .....	43-47
РУССКИЙ .....	48-51

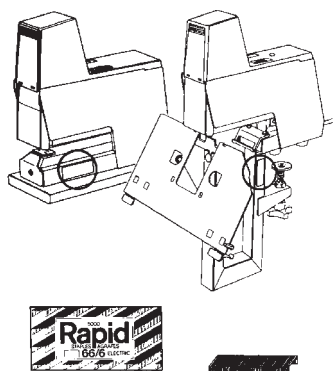
### LIST OF TERMS



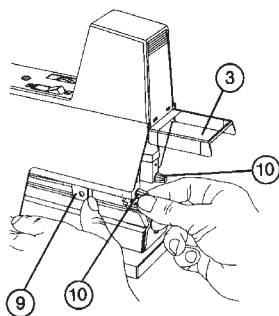
1



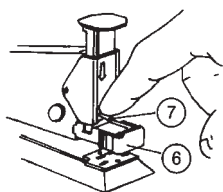
2



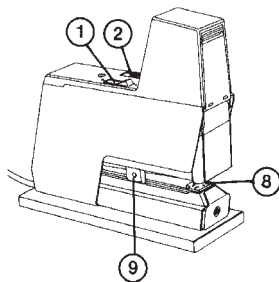
4



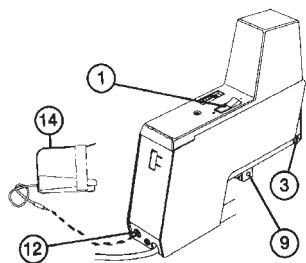
3



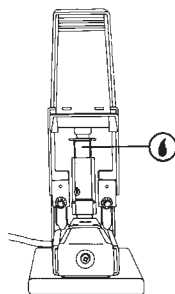
5



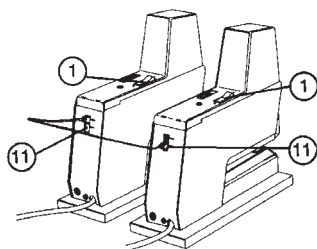
6



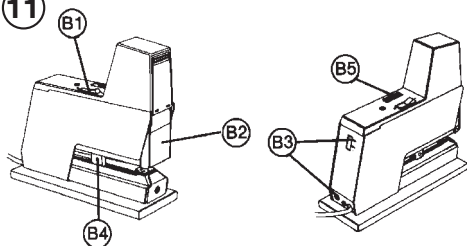
10



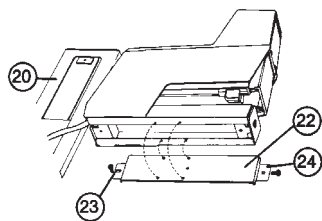
7



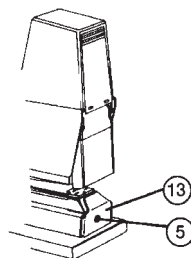
11



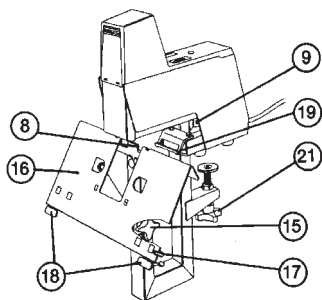
8



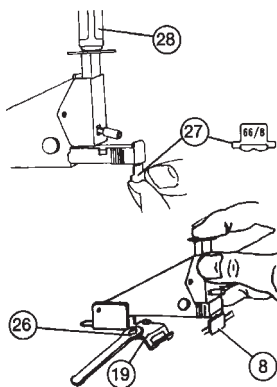
12



9



13



2. Заменить встроенный степлер, если он поврежден или изношен.

**В. Система управления.** Проверьте что:

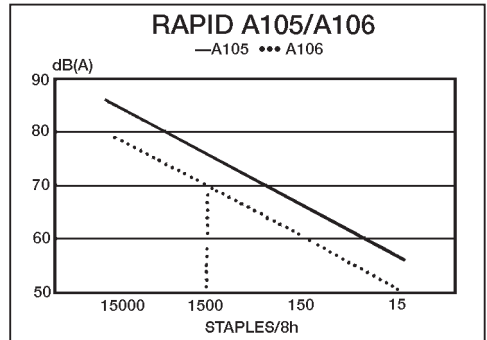
1. На устройстве есть напряжение и что сетевой выключатель включен (световой указатель горит).
2. Прозрачный щиток опущен.
3. Используется правильный метод включения степлирования. Если подсоединен оптокабель или ножная педаль, триггер не функционирует.
4. Триггеры легко возвращаются вперед после срабатывания. Оба должны вернуться в положение “стоп” до следующей операции степлирования.
5. Сила удара выбрана правильно. Если неисправность не устранена, возвратите устройство вашему продавцу или в службу ремонта. Не используйте машину с дефектами кабеля или разьема.

**12 ЗАМЕНА ВСТРОЕННОГО СТЕПЛЕРА - RAPID 105**

1. Удалить планку крепления (13) с ее винтом (5).
2. Заменить встроенный степлер. Отжать вверх плунжер (28), когда вставляется новый степлер.
3. Закрепить планку крепления. (13).

**13 ЗАМЕНА ВСТРОЕННОГО СТЕПЛЕРА - RAPID 106**

1. Удалить ручку крепления (15) с винтом и удалить стол (16).
2. Ослабить два винта (26) и вытянуть встроенный степлер. Прижать вверх плунжер (28) и удалить степлер.
3. Снарядить новым степлером, вставить сначала пластину - защелку (19) поверх наковальни (8) в верхнюю позицию.
4. Нажать вверх плунжер (28) и опустить пластину - защелку (19) узкой частью в машину.
5. Нажать внутрь головку, придерживая плунжер (28) в верхнем положении. **ВАЖНО!** Убедиться, что узкая часть пластины - защелки вводится в ее направляющее отверстие.
6. Для получения качественного степлирования необходимо настроить позицию степлирующего механизма относительно наковальни. Эта настройка проводится при использовании направляющей пластинки (27), приложенной к машине. Открыть магазин и вставить направляющую пластинку снизу в выпуск магазина. Нажать вниз головку и убедиться, что направляющая пластинка хорошо сопрягается с наковальней. Сохраняйте встроенный степлер нажатым, пока затягиваете винты (26). Удалить направляющую пластинку из магазина и сделать несколько степлирований для проверки правильности функционирования.
7. Установить стол на место. **ПРИМЕЧАНИЕ:** Должны быть установлены винт и ручка крепления (15) на трубчатой подставке стола.



Эквивалентен уровню шума в дБ(А) при максимальной мощности.

Например, степлирование 1440 скобами в течение 8 часов создает шумовой фон в 70 дБ(А) (A106). Измерение шума сделано в соответствии с ISO 7779 и дополнением “Электрические степлеры: Код тестирования шума”.

Эквивалент уровня шума в 70 дБ(А) является немецким стандартом для максимального уровня шума в общественных местах таких как, магазины, секции регистраций в аэропортах, в гостиницах и других шумных местах.

# IMPORTANT SAFETY INSTRUCTIONS

1. Read all of these instructions.
2. Save these instructions for later use.
3. Follow all warnings and instructions marked on the product.
4. Unplug this product from the wall outlet before cleaning. Do not use liquid cleaners or aerosol cleaners. Use a damp cloth for cleaning.
5. Do not use this product near water.
6. Do not place this product on an unstable cart, stand, or table. The product may fall, causing serious damage to the product.
7. This product is equipped with a 3-wire grounding type plug, a plug having a third (grounding) pin. This plug will only fit into a grounding-type power outlet. This is a safety feature. If you are unable to insert the plug into the outlet, contact your electrician to replace your obsolete outlet. Do not defeat the purpose of the grounding-type plug.
8. Do not attempt to service this product yourself, as opening or removing covers may expose you to dangerous voltage points or other risks. Refer all servicing to service personnel.
9. Unplug this product from the wall outlet and refer servicing to qualified service personnel under the following conditions:
  - A. When the power cord or plug is damaged or frayed.
  - B. If liquid has been spilled into the product.
  - C. If the product has been exposed to rain or water.
  - D. If the product does not operate normally when the operating instructions are followed. Adjust only those controls that are covered by the operating instructions since improper adjustment of other controls may result in damage and will often require extensive work by a qualified technician to restore the product to normal operation.
  - E. If the product has been dropped or the cabinet has been damaged.
  - F. If the product exhibits a distinct change in performance, indicating a need for service.
10. Keep your fingers away from the stapling area.
11. Disconnect the electric power to the product before cleaning, adjusting or moving it.
12. Do not allow children to use this product, unless under supervision of a responsible adult.

## LIST OF TERMS

1. Main switch
2. Impact control
3. Sight-shield
4. Insert stapler
5. Screw
6. Magazine
7. Magazine release
8. Anvil
9. Trigger (adjustable)
10. Adjustment knob, stapling depth (trigger)
11. Socket for opto cable
12. Socket, foot control
13. Locking plate
14. Foot control
15. Fixing knob - table
16. Table
17. Paper gauges
18. Paper gauges
19. Catch-plate
20. Base

When ordering spare parts use reference numbers stated in spare parts list 197 79-8.

**1 DESCRIPTION OF PRODUCT**

- A. Rapid 105 Table stapler.
- B. Rapid 106 Saddle stapler enabling flat stapling.

Several units can be connected for simultaneous use. The connection is by opto cable. Minimum center distance 60 mm.

Each unit is prepared with an independent double-sided trigger. The adjustment of the stapling depth is stepless from 0-100 mm.

Stapling occurs automatically when the stapling material is inserted. A foot control is incorporated in Rapid 106 and is available as an extra accessory to Rapid 105.

The units have easily exchangeable insert staplers.

Radio interference suppression device is provided.

**DIMENSIONS**

**Rapid 105**

Width: 60 mm (incl base 100 mm)  
 Length: 250 mm (incl base 255 mm)  
 Height: 238 mm (incl base 245 mm)  
 Weight: 3,6 kg

**Rapid 106**

(excl table)  
 Width: 60 mm,  
 (Anvil: 84 mm)  
 Length: 250 mm  
 Height: 438 mm  
 Weight: 4,2 kg+foot  
 control: 0,7 kg

**Table**

(supplied)  
 Width: 250 mm  
 Length: 150 mm  
 Weight: 0,7 kg

**STAPLES**

- C. Original Rapid staples 66/6 and 66/8, 210 staples per magazine.

**EXTRA ACCESSORIES**

- D. Opto cable for the connection of two or more units.

**EXTRA ACCESSORIES FOR RAPID 105**

- E. Foot control.
- F. Vice for adjustable fixing to a table top.

- G. Multi base for adjustable fixing of up to 4 staplers together, (size 145\_300 mm). Two devices for fixture are included.

**EXTRA ACCESSORIES FOR RAPID 106**

- H. Narrow table (60 mm) with exchange anvil, provided with 2 paper gauges which can also be used for the fixing of coupled units.
- I. Runner with accessories for saddle stapling, for one or more staplers.
- J. Rapid 252-106 insert stapler for loop staples (Rapid 66/6R).
- K. Loop staple type Rapid 66/6R.

**2 POWER SUPPLY CONNECTION**

The voltage is specified on the identification plate (ringed in picture). Before connecting the unit make sure that the socket has the correct voltage. Switch off main switch when not in use.

Note: For 115 V version.

If the stapler is connected to the same mains outlet as appliances drawing heavy current, such as photocopiers, they may give rise to such a heavy voltage drop when in operation that stapling is disturbed.

**STAPLES**

Use only original Rapid staples 66/6 or 66/8. The wrong type of staples can damage the unit or may result in bad stapling.

**3 LOADING**

1. Lift the sight-shield (3) - stapling is now prevented.
2. Depress the magazine release (7) on the front of the insert stapler and pull out the magazine (6).
3. Load with staples Rapid 66/6 for goods of between 0 and 2 mm's thickness (equals up to about 20 sheets of copying paper 80 g/m<sup>2</sup>) or Rapid 66/8 for goods of 2-5 mm's thickness (up to about 50 sheets).
4. Push in the magazine to the locked position.
5. Lower the sight-shield.

**4 ADJUSTING THE THROAT DEPTH**

The unit is provided with a double-sided trigger. Each trigger can be used independently.

1. Lift the sight-shield (3).

2. Turn one of the knobs (10) anticlockwise and move the trigger (9) to the desired position.
3. Let go the knob. The trigger is now set.
4. The trigger first touched by the stapling goods will activate.
5. When several units are connected the triggers on the "slave" units can be used as supports for the stapling goods (they will not activate) and are adjusted as shown.
6. Lower the sight-shield.
7. Start stapling by pushing the stapling goods against the trigger (9).

## **5 ADJUSTMENT OF STAPLING IMPACT**

1. Choose stapling or nailing by pushing the anvil (8) forwards or backwards respectively. (Only Rapid 105).
2. Turn main switch (1) to position 1. The pilot light in the button comes on.
3. Do a trial stapling by pushing the stapling goods towards the trigger (9).
4. Examine the result. If the impact force is too weak, the staples will be insufficiently folded - turn the impact control (2) to a higher figure. Too high an impact force will make unnecessary noise and increase wear. Correct adjustment will give efficient stapling and minimum noise.
5. Never staple without stapling goods - staples will get stuck in the outlet.
6. Never staple over previous staples - the staple could jam in the outlet.  
**CAUTION! KEEP FINGERS AWAY FROM THE STAPLING AREA.**

## **6 USING A FOOT CONTROL (14)**

1. Turn the main switch off (1) or lift the sightshield (3).
2. Plug the foot control into the socket (12) on the back of the unit.
3. The triggers (9) can now be used as paper gauges for the stapling goods. When the foot control is plugged in, they will not activate. Adjust to the desired stapling depth as described.
4. Lower the sight-shield. Turn the main switch on.
5. Operate the foot control (14).

## **7 CONNECTION OF SEVERAL UNITS ("SLAVE" UNITS)**

1. Turn the main switches off (1) or lift the sightshields (3).
2. Place the units as required.
3. Plug all the units into the mains.
4. Decide which unit is to be the head unit (= will activate stapling). Push down the flap (11) and

connect the opto cable (extra accessory) to the main unit's upper socket. This is marked with an arrow pointing away from the socket (= outgoing signal).

5. Connect the cable's other plug to the adjoining "slave" unit's lower socket after the flap (11) is pushed down. The socket is marked with an arrow pointing inwards (= in-going signal). Neither the trigger nor the foot control on the "slave" stapler will activate stapling.
6. The next "slave" unit is connected from the previous unit's upper socket (11) with an opto cable, to its lower socket (11) and so on.
7. When the head unit is operated by the trigger or foot control, stapling will occur first at the head unit and then, with a brief interval, at the "slave" units in the order in which they are connected. (This is to avoid overloading of the power supply).
8. The "slave" units' triggers can now act as gauges for the stapling goods.

## **8 RAPID 105-MOUNTING ON A WORK SURFACE**

1. Remove the base (20) from the machine and the spring plate (22) from the base.
2. Turn the spring plate a half-turn so that the end with the hole (24) comes out in front of the unit. Screw the spring plate flatly against the underside of the unit using the four screws. Attention! The screws are selftapping.
3. Fix a screw to the work surface so that the runner (23) of the spring plate can be pushed in under the screw head. Fix the unit by a screw in the front hole (24) of the spring plate.

## **9 RAPID 106-USING THE TABLE**

1. Place the unit in position and secure it firmly (21). The current should be off.
2. After loosening the fixing knob (15) choose the flat- or saddle-stapling position on the table (16). When the table is re-set the triggers (9) must be pushed back to their innermost position. Check that the table is correctly placed on the anvil (8) and in the catch-plate (19).
3. The table (16) has 4 paper gauges which can be adjusted sideways. The two gauges (18) on the front edge are moved by pressing the lower part. When not in use the gauges can be moved out of the way by pushing them to the outer edge and turning. The two paper gauges (17) on the short sides of the table can be moved sideways if first turned.



10

**MAINTENANCE**

1. Remove dust, loose staples and other particles which may have collected in the unit.
2. Lubricate the insert stapler with a few drops of thin oil after about 10.000 staplings, as shown in the sketch. Wipe off excess oil.

11

**BREAKDOWNS**

- A. Test the function of the insert stapler by hand.
1. Remove staples stuck in the outlet. Check that correct staples have been used and that the staple outlet is undamaged.
2. Change the insert stapler when damaged or worn.
- B. The operating system. Check that:
  1. the unit is receiving current, and that the switch is on (the pilot light comes on).
  2. the sight-shield is down.
  3. the correct method of activating is used. If the foot control or opto cable is connected the trigger will not operate.
  4. the triggers return forward easily after activating. Both must return to "stop" before the next stapling.
  5. correct impact force has been chosen. If the faults remain, return the unit to your supplier or to an authorised service man. Do not use a machine with a faulty connecting cable or plug.

12

**CHANGING THE INSERT STAPLER - RAPID 105**

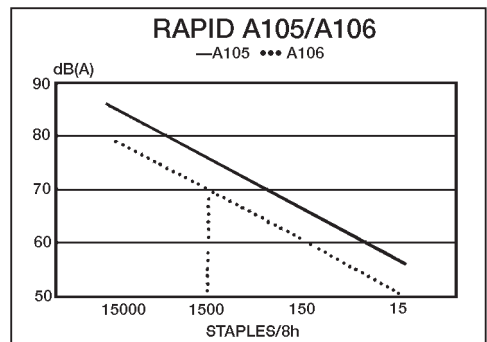
1. Remove the locking plate (13) with its screw (5).
2. Change the insert stapler. Press the plunger (28) upwards when entering the new insert stapler.
3. Fasten the locking plate (13).

13

**CHANGING THE INSERT STAPLER - RAPID 106**

1. Remove the fixing knob (15) with screw and remove the table (16)
2. Loosen the two screws (26) and pull out the insert stapler. Press up the plunger (28) and remove the insert stapler.
3. Fit the new insert stapler by first inserting the catch-plate (19) in the up position over the anvil (8).
4. Press up the plunger (28) and lower the catchplate (19) with the narrow part pointing into the machine.
5. Push in the insert stapler while holding up the plunger. Important! Be sure that the narrow part of the catch-plate enters its guide hole.

6. To maintain perfect stapling it is necessary to adjust the position of the insert stapler towards the anvil. This adjustment is achieved by using the guide plate (27) enclosed with the machine. Open the magazine and insert the guide plate from underneath in the magazine outlet. Insert magazine. Press down the insert stapler and make sure that the guide plate fits well into the anvil. Keep insert stapler pressed to the anvil and tighten the mounting screws (26). Remove the guide plate from magazine and do a few trial staplings to check proper function.
7. Fit the table in place. NOTE: the table's strut, screw and fixing knob (15) must be positioned in front of the tubular stand.



Equivalent noiselevel dB(A) at maximum capacity and power.

Ex. 1440 staples per 8 hours give 70dB(A) (A106). Noise measurement made according to ISO 7779 with supplement proposal "Electrical staplers: Noise test code".

The 70 dB(A) equivalent noise level is a German requirement for maximum noise level in common areas such as shops, airport check in, receptions and other similar areas.

# SICHERHEITSBESTIMMUNGEN

1. Sicherheitsbestimmungen und Gebrauchsanweisung sorgfältig lesen.
2. Sicherheitsbestimmungen und Gebrauchsanweisung aufbewahren.
3. Am Apparat angegebene Warnungen und Daten beachten.
4. Darauf achten, dass der Apparat bei Reinigungsarbeiten nicht ans Netz angeschlossen ist. Keine flüssigen Reinigungsmittel oder Sprays verwenden. Apparat nur mit einem weichen Tuch reinigen.
5. Den Apparat nicht mit Wasser in Berührung bringen.
6. Darauf achten, dass der Apparat auf einer festen Unterlage steht.
7. Der Apparat ist mit einem geerdeten Anschlusskabel versehen. Darauf achten, dass der Apparat immer an eine geerdete Steckdose angeschlossen wird. Das ist eine Sicherheitsvorkehrung.
8. Bei Fehlern, die nicht mit Hilfe der Gebrauchsanweisung behoben werden können, wird gebeten, sich an den Lieferanten oder die eigene Serviceabteilung zu wenden.
9. In folgenden Fällen sind Reparaturen immer von qualifiziertem Wartungspersonal durchzuführen:
  - A. Wenn das Anschlusskabel oder der Steckkontakt beschädigt sind.
  - B. Wenn Flüssigkeit in das Gerät eingedrungen ist.
  - C. Wenn der Apparat Regen oder Wasser ausgesetzt war.
  - D. Wenn der Apparat trotz Beachtung der Gebrauchsanweisung nicht normal funktioniert.
  - E. Wenn der Apparat auf den Boden gefallen ist oder das Äußere beschädigt wurde.
  - F. Wenn der Apparat eine markante Abweichung von seiner normalen Funktionsweise zeigt.
  - G. Lediglich Einstellungsarbeiten selbst durchführen, die in der Gebrauchsanweisung beschrieben sind.
10. Finger ausserhalb des Heftbereichs halten.
11. Strom abschalten bevor der Apparat gereinigt, eingestellt oder an einen anderen Platz gestellt wird.
12. Kinder dürfen den Apparat nicht ohne Aufsicht von Erwachsenen benutzen.

# BENENNUNGEN

1. Hauptschalter
2. Schlagstärkenregler
3. Visier
4. Einsatzhefter
5. Schraube
6. Magazin
7. Magazinsperre
8. Amboss
9. Auslösehebel (einstellbar)
10. Einstellknöpfe (Hefttiefe)
11. Anschluss für Lichtleiterkabel
12. Anschluss für Fussauslöser
13. Verschlussblech
14. Fussauslöser
15. Sternrad
16. Tisch
17. Papierstopper
18. Papierstopper
19. Auflagebügel
10. Einstellknöpfe (Hefttiefe)
20. Fussplatte

Bei Bestellung von Ersatzteilen bitte Ersatzteilnummer laut Ersatzteilliste 197 79-8 angeben.

1

**PRODUKTSPEZIFIKATION**

- A. Rapid 105 Tischhefter.  
 B. Rapid 106 Sattelhefter mit Planheftmöglichkeit.

Für das gleichzeitige Heften mit mehreren Klammern können die Apparate zusammenschaltet werden. Das Zusammenschalten erfolgt mit einem Lichtleiterkabel. Mindestheftabstand 60 mm.

Jeder Apparat ist mit doppelten, voneinander unabhängigen Auslösevorrichtungen versehen. Die Hefttiefe ist von 0-100 mm stufenlos verstellbar.

Die Heftung erfolgt automatisch, wenn das Heftgut den Auslösehebel im Apparat berührt. Beim Rapid 106 wird ein Fussauslöser mitgeliefert. Für den Rapid 105 ist er als Sonderzubehör erhältlich.

Die Apparate haben leicht austauschbare Einsatzhefter.

Die Apparate sind funkentstört.

**MASSE****Rapid 105**

Breite: 60 mm (mit Fussplatte 100 mm)  
 Länge: 250 mm (mit Fussplatte 255 mm)  
 Höhe: 238 mm (mit Fussplatte 245 mm)  
 Gewicht: 3,6 kg

**Rapid 106**

(ohne Tisch)  
 Breite: 60 mm,  
 (Amboss: 84 mm)  
 Länge: 250 mm  
 Höhe: 438 mm  
 Gewicht: 4,2 kg +  
 Fussauslöser: 0,7 kg

**Tisch**

(wird mitgeliefert)  
 Breite: 250 mm  
 Länge: 150 mm  
 Gewicht: 0,7 kg

**HEFTKLAMMERN**

- C. Original Rapid-Klammern 66/6 und 66/8.  
 Ladekapazität: 210 Klammern.

**SONDERZUBEHÖR**

- D. Lichtleiterkabel für das Zusammenschalten von zwei oder mehreren Heftapparaten.

**SONDERZUBEHÖR FÜR DEN RAPID 105**

- E. Fussauslöser.  
 F. Zwinge für verstellbare Befestigung am Tisch.  
 G. Tisch für verstellbare Befestigung von bis zu vier Heftern (Grösse 145\_300 mm). Zwei Stück Zwingenbefestigungen liegen bei.

**SONDERZUBEHÖR FÜR DEN RAPID 106**

- H. Schmäler Tisch (60 mm) mit Spezialamboss. Der Tisch ist mit 2 Papierstoppfern versehen, die auch zur Fixierung zusammenschalteter Hefter verwendet werden können. I. Schiene mit Zubehör zum Sattelheften für einen oder mehrere Hefter.  
 J. Rapid 252-106 Hefteinsatz für Ringklammern (Rapid 66/6R).  
 K. Ringklammern Typ Rapid 66/6R.

2

**ANSCHLUSS**

Die Spannung ist auf dem Typenschild des Apparates angegeben (siehe Abbildung). Vor dem Anschliessen überprüfen, ob der Anschluss die richtige Spannung hat. Strom abstellen, wenn der Apparat nicht benutzt wird.

**HEFTKLAMMERN**

Nur Originalklammern Rapid 66/6 oder 66/8 verwenden. Andere Klammern können den Apparat beschädigen oder ein schlechtes Heftresultat ergeben.

3

**LADEN DER HEFTKLAMMERN**

1. Visier (3) öffnen - bei offenem Visier kann keine Heftung erfolgen.
2. Magazinsperre (7) an der Vorderseite des Hefteinsatzes drücken und Magazin (6) herausziehen.
3. Mit Heftklammern laden. Rapid 66/6 für Heftgut von 0-2 mm Stärke (bis zu ca. 20 Bogen Schreibmaschinenpapier 80 g/m<sup>2</sup>) oder Rapid 66/8 für Heftgut von 2-5 mm Stärke (bis zu 50 Bogen).
4. Magazin einschieben bis es einrastet.
5. Visier schliessen.

4

**EINSTELLEN DER HEFTTIEFE**

Der Apparat ist auf beiden Seiten des Einsatzhefters mit Auslösemechanismen versehen, die unabhängig voneinander arbeiten.

1. Visier (3) öffnen.
2. Einen der Knöpfe (10) entgegen dem Uhrzeigersinn drehen und gleichzeitig den Auslösehebel (9) in die gewünschte Lage bringen.
3. Knopf loslassen. Der Auslöser ist nun fixiert.
4. Der Auslösehebel, der vom Heftgut zuerst berührt wird, löst den Heftvorgang aus.
5. Bei mehreren zusammenschalteten Apparaten können die Auslösehebel der Nebenapparate als Stopper für das Heftgut verwendet werden (sie lösen keinen

Heftvorgang aus). Die Einstellung erfolgt wie oben beschrieben.

6. Visier schliessen.
7. Heften: mit dem Heftgut den Auslösehebel (9) berühren.

## 5 EINSTELLEN DER SCHLAGSTÄRKE

1. Gewünschte Heftart durch Vor- bzw. Zurückschieben des Ambosses (8) einstellen (betrifft Rapid 105).
2. Hauptschalter (1) in Position 1 bringen. Die daneben befindliche Kontrollampe brennt.
3. Probeheftung durch Berühren des Auslösehebels (9) mit dem Heftgut.
4. Heftergebnis untersuchen. Bei einer zu geringen Schlagstärke wird die Klammer nicht richtig umgebogen - Schlagstärkenregler (2) auf eine höhere Zahl stellen. Eine zu hohe Schlagstärke verursacht unnötigen Lärm und erhöht den Verschleiss des Apparates. Bei richtiger Einstellung ist das Heftergebnis am besten und der Geräuschpegel gering.
5. Nie ohne Heftgut heften. Die Klammern können sich am Austritt festsetzen.
6. Nicht mehrere Klammern übereinanderheften. Die Klammern können sich am Austritt festsetzen.

**WARNUNG: NIE DIE FINGER UNTER DEN EINSATZHEFTER LEGEN!**

## 6 VERWENDUNG EINES FUSSAUSLÖSERS

1. Strom am Hauptschalter (1) abstellen oder Visier (3) öffnen.
2. Kontakt des Fussauslösers an der Steckbuchse (12) auf der Rückseite des Apparates anschliessen.
3. Die Auslösehebel (9) können nun als Stopper für das Heftgut verwendet werden. Sie lösen keinen Heftvorgang aus, wenn der Fussauslöser angeschlossen ist. Gewünschte Hefttiefe einstellen wie zuvor beschrieben.
4. Visier schliessen. Hauptschalter einschalten.
5. Mit Fussauslöser (14) heften.

## 7 ZUSAMMENSCHALTEN MEHRERER HEFTER (NEBENAPPARATE)

1. Strom an den Hauptschaltern (1) abstellen oder Visiere (3) öffnen.
2. Heftapparate nach Wunsch platzieren.
3. Sämtliche Apparate ans Stromnetz anschliessen.
4. Hauptapparat bestimmen (löst den Heftvorgang aus). Abdeckung (11) öffnen und das Lichtleiterkabel (Sonderzubehör) am oberen Anschluss des Hauptapparates anschliessen. Die Steckbuchse ist mit einem Pfeil gekennzeichnet, der von ihr wegzeigt (= abgehendes Signal).

5. Den anderen Kontakt des Kabels am unteren Anschluss des nächsten Apparates (Nebenapparat) anschliessen, nachdem dessen Abdeckung (11) geöffnet wurde. Die Steckbuchse ist mit einem Pfeil gekennzeichnet, der zu ihr hinzeigt (ankommendes Signal). Es ist nicht möglich, mit dem Auslösehebel oder dem Fussauslöser eines Nebenapparates den Heftvorgang auszulösen.
6. Der Anschluss des zweiten Nebenapparates erfolgt durch Einstecken eines Lichtleiterkabels in die obere Steckbuchse (11) des ersten Nebenapparates und die untere Steckbuchse (11) des zweiten Nebenapparates usw.
7. Bei Betätigung des Auslösehebels oder des Fussauslösers des Hauptapparates heftet zuerst der Hauptapparat. Die Nebenapparate heften in der Reihenfolge ihrer Schaltung, aber mit kurzer Verzögerung, damit das Stromnetz nicht überlastet wird.
8. Die Auslösehebel der Nebenapparate können als Stopper für das Heftgut verwendet werden.

## 8 RAPID 105-BEFESTIGUNG AM ARBEITSTISCH

1. Fussplatte (20) vom Apparat und Feder (22) von der Fussplatte entfernen.
2. Feder um eine halbe Umdrehung drehen, so dass das Ende mit dem Loch (24) am Apparat vorsteht. Feder mit den vier Schrauben plan an der Unterseite des Apparates festschrauben. Zur Beachtung! Die Schrauben sind selbstschneidend.
3. Eine Schraube am Arbeitstisch befestigen, so dass der offene Schlitz (23) der Feder unter den Schraubenkopf geschoben werden kann. Apparat durch das vordere Loch (24) der Feder am Tisch festschrauben.

## 9 RAPID 106-VERWENDUNG EINES TISCHES

1. Apparat anbringen und festschrauben (21). Der Strom muss abgeschaltet sein.
2. Sternrad (15) aufdrehen und Tisch (16) auf Plan- oder Sattelheften einstellen. Nach Umstellen des Tisches müssen die Auslösehebel (9) wieder in ihre hintere Lage gebracht werden. Darauf achten, dass der Tisch richtig auf dem Amboss (8) und dem Auflagebügel (19) liegt.
3. Der Tisch (16) ist mit vier Stoppern versehen, die seitlich verstellbar sind. Die beiden Stopper (18) an der Vorderkante des Tisches können durch Druck auf den unteren Teil verschoben werden. Wenn die Stopper nicht benötigt werden, können sie heruntergedreht werden. Man schiebt sie an den äusseren Rand und dreht sie dann auf. Die beiden Stopper (17) an der

Schmalseite des Tisches können aufgedreht und dann seitlich verschoben werden.

## 10

**WARTUNG**

1. Staub entfernen, Heftklammern und andere Gegenstände, die sich eventuell im Apparat gesammelt haben, entfernen.
2. Einsatzhefter nach ca 10.000 Heftungen mit ein paar Tropfen dünnflüssigem Öl laut nebenstehender Abbildung schmieren. Überflüssiges Öl abtrocknen.

## 11

**FUNKTIONSTÖRUNGEN**

- A. Von Hand prüfen, ob der Einsatzhefter funktioniert.
  1. Klammern, die sich am Austritt festgesetzt haben, sind zu entfernen. Kontrollieren, ob die richtigen Heftklammern verwendet wurden und der Klammerraustritt nicht beschädigt ist.
  2. Bei Beschädigung oder Verschleiss Einsatzhefter austauschen.
- B. Betriebssystem. Es ist zu kontrollieren ob:
  1. der Apparat an das Stromnetz angeschlossen und der Hauptschalter eingeschaltet ist (Kontrolllampe brennt).
  2. das Visier geschlossen ist.
  3. die richtige Auslösevorrichtung verwendet wird. Die automatische Auslösevorrichtung wird ausgeschaltet, wenn der Fussauslöser oder das Lichtleiterkabel angeschlossen sind.
  4. die Auslösehebel (9) nach Betätigung vor einem erneuten Heftvorgang sich leicht wieder nach vorne in eine deutliche Stopplage begeben.
  5. die richtige Schlagstärke eingestellt ist. Ist die Funktionsstörung nicht behoben, den Apparat bitte zwecks Reparatur an den Lieferanten oder eine Vertragswerkstatt schicken. Keine Apparate mit defektem Anschlusskabel oder Stecker verwenden.

## 12

**AUSTAUSCH DES  
EINSATZHEFTERS - RAPID 105**

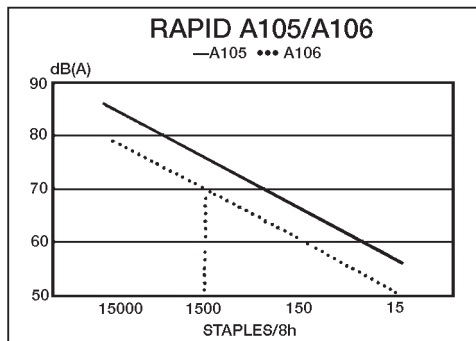
1. Verschlussblech (13) sowie Schraube (5) entfernen.
2. Einsatzhefter austauschen. Bei Montage des neuen Einsatzhefters muss die Stosstange (28) hochgedrückt werden.
3. Verschlussblech (13) festschrauben.

## 13

**AUSTAUSCH DES  
EINSATZHEFTERS - RAPID 106**

1. Sternrad (15) und seine Schraube entfernen und den Tisch (16) abheben.

2. Die beiden Schrauben (26) lösen und den Einsatzhefter nach aussen ziehen. Stosstange (28) hochdrücken und Einsatzhefter herausnehmen.
3. Der neue Einsatzhefter wird montiert, indem zuerst der Auflagebügel (19) eingeführt und über dem Amboss (8) in herausgeklappte Stellung gebracht wird.
4. Stosstange (28) hochdrücken und Auflagebügel (19) umklappen, so dass dessen schmale Lasche in den Apparat hineingeht.
5. Einsatzhefter einschieben, während die Stosstange hochgedrückt ist. Vorsicht: Darauf achten, dass die Lasche des Auflagebügels in ihre Führungsöffnung eingeführt wird!
6. Vor dem Heften ist es erforderlich, den Einsatzhefter in die richtige Lage zum Amboss zu bringen. Dies geschieht mit Hilfe eines Passblechs (27), das mitgeliefert wird. Magazin herausnehmen und Passblech von unten in den Klammerraustritt einführen. Magazin einschieben. Einsatzhefter fest nach unten drücken, so dass das Passblech in den Amboss passt. Der Einsatzhefter bleibt nach unten gedrückt, während die Schrauben (26) angezogen werden. Passblech entfernen und Probeheftung durchführen.
7. Tisch montieren. ACHTUNG! Die Stütze, die Schraube und das Sternrad (15) des Tisches sind vor dem Rohrstativ anzubringen.



Entsprechender Geräuschpegel dB(A) bei maximaler Kapazität und Schlagstärke.

Ex. (z.B) 1440 Klammern in 8 Stunden ergeben 70 dB(A) (A106).

Geräuschpegel-Messungen entsprechend ISO 7779 mit ergänzendem Vorschlag: "Elektrische Hefter: Geräuschtest Richtlinie".

Der entsprechende Geräuschpegel von 70 dB(A) ist eine deutsche Anforderung für den maximalen Geräuschpegel in Gemeinschaftsräumen wie z.B Kaufhäuser, Flugabfertigung, Rezeption und anderen ähnlichen Bereichen.

# CONSIGNES DE SECURITE

1. Lisez attentivement les instructions et le mode d'emploi.
2. Gardez les instructions
3. Respectez les mises en garde et les données portées sur la machine.
4. Assurez-vous que la machine est débranchée avant de la nettoyer.  
N'utilisez pas de liquides ni d'aérosols, nettoyez la machine à l'aide d'un chiffon.
5. Utilisez la machine à l'écart de l'eau.
6. Veillez à ce que la machine repose sur un support ferme.
7. La machine est munie d'un fil conducteur avec mise à la terre.  
Par mesure de sécurité, branchez-la toujours à une prise avec mise à la terre.
8. En cas de panne ne pouvant être réparée à l'aide du mode d'emploi, veuillez toujours contacter votre fournisseur ou votre service d'entretien.
9. Confiez toujours votre machine au personnel d'entretien dans les cas suivants:
  - A. Fil d'alimentation ou prise de courant endommagés.
  - B. Si liquide est pénétré dans l'appareil.
  - C. Si la machine a été arrosée ou exposée à la pluie.
  - D. Si la machine ne fonctionne pas normalement bien que les instructions d'utilisation soient respectés.
  - E. Si la machine est tombée sur le sol ou si sa carrosserie est endommagée.
  - F. Si le fonctionnement de la machine est notablement altéré.
  - G. N'effectuez que les réglages décrits dans le mode d'emploi.
10. Tenez les doigts éloignés de la zone d'agrafage
11. Coupez toujours le courant avant le nettoyage, le réglage ou le déplacement de la machine.
12. Ne laissez jamais les enfants utiliser la machine sans surveillance

## DESCRIPTION

1. Interrupteur principal
  2. Réglage de la force de frappe
  3. Capot
  4. Tête d'agrafage
  5. Vis
  6. Chargeur
  7. Verrou du chargeur
  8. Enclume
  9. Butée de déclenchement (réglable)
  10. Boutons de réglage de la profondeur d'agrafage
  11. Prise du câble optique
  12. Prise de la pédale
  13. Tôle de verrouillage
  14. Pédale de déclenchement
  15. Bouton cannelé
  16. Table de travail
  17. Butées à papier
  18. Butées à papier
  19. Crochet de rangement
  20. Semelle
- Veillez indiquer les numéros de référence selon la liste de pièces détachées  
197 79-8 en passant votre commande.

1

**DESCRIPTION**

- A. Agrafeuse de table Rapid 105.  
 B. Agrafeuse à cheval Rapid 106 permettant l'agrafage à plat.

Les machines peuvent être reliées par un câble optique afin de permettre la pose simultanée de plusieurs agrafes. La distance minimale entre les agrafes est de 60 mm.

Chaque machine est munie de deux dispositifs de déclenchement indépendants.  
 La profondeur d'agrafage est réglable de 0 à 100 mm.

L'agrafage se produit automatiquement quand le produit àagrafer bute contre le bras de déclenchement se trouvant à l'intérieur de la machine. Une pédale de commande est livrée avec la Rapid 106 et existe en option pour la Rapid 105.

Les machines sont équipées de têtes d'agrafage interchangeables pour un changement facile et rapide.

Les machines sont antiparasitées.

**DIMENSIONS****Rapid 105**

Largeur: 60 mm (100 mm avec embase)  
 Longueur: 250 mm (255 mm avec embase)  
 Hauteur: 238 mm (245 mm avec embase)  
 Poids: 3,6 kg

**Rapid 106**

(sans table)  
 Largeur: 60 mm,  
 (Enclume: 84 mm)  
 Longueur: 250 mm  
 Hauteur: 438 mm  
 Poids: 4,2 kg + pédale 0,7 kg

**Table de travail**

(livrée avec la machine)  
 Largeur: 250 mm  
 Longueur: 150 mm  
 Poids: 0,7 kg

**AGRAFES D'ORIGINE**

- C. Agrafes Rapid 66/6 et 66/8 mm, magasin de 210 agrafes.

**ACCESSOIRES**

- D. Câble optique pour liaison entre deux ou plusieurs agrafeuses.

**ACCESSOIRES POUR RAPID 105**

- E. Pédale de déclenchement.  
 F. Serre-joint pour montage réglable sur une table.  
 G. Table d'atelier pour montage de 4 agrafeuses maximum en série (145\_300 mm).  
 Deux dispositifs de fixation sont inclus.

**ACCESSOIRES POUR RAPID 106**

- H. Table étroite (60 mm) avec enclume spéciale. Table munie de butées pour papier pouvant également servir à aligner plusieurs agrafeuses à fonctionnement simultané.  
 I. Rail avec accessoires pour agrafages à cheval avec une ou plusieurs machines.  
 J. Tête d'agrafage 252-106 pour pose d'agrafes à oeillets Rapid 66/6R.  
 K. Agrafe à oeillets Rapid 66/6R.

2

**BRANCHEMENT**

La tension est indiquée sur la plaque d'identification de la machine.

(Emplacement: voir fig.)

Vérifiez que la tension du secteur correspond à la machine avant de la brancher. Coupez le courant à l'aide de l'interrupteur de la machine quand elle n'est pas utilisée.

NOTA: Version 115 V

En cas de branchement de l'agrafeuse sur la même ligne que des appareils gros consommateurs, tels que des photocopieurs par exemple, il peut arriver, lorsque ceux-ci fonctionnent, qu'ils provoquent une chute de tension suffisante pour perturber le fonctionnement de l'agrafeuse.

**AGRAFES**

Utilisez exclusivement les agrafes d'origine Rapid 66/6 ou 66/8. Des agrafes d'une autre marque peuvent endommager la machine ou provoquer un mauvais agrafage.

3

**CHARGEMENT DES AGRAFES**

1. Soulevez le capot (3): l'agrafage est bloqué.
2. Abaissez le verrou du chargeur (7) sur l'avant de la tête d'agrafage et sortez le chargeur (6).
3. Chargez les agrafes, Rapid 66/6 pour les liasses d'une épaisseur allant de 0 à 2 mm (jusqu'à 20 feuilles de papier de 80 g/m<sup>2</sup> ou Rapid 66/8 pour les liasses de 2 à 5 mm d'épaisseur (jusqu'à 50 feuilles).
4. Enfoncez le chargeur jusqu'à son verrouillage.
5. Abaissez le capot.

4

**REGLAGE DE LA PROFONDEUR D'AGRAFAGE**

La machine est munie d'un déclenchement de chaque côté de la tête d'agrafage. Ils fonctionnent indépendamment l'un de l'autre.

1. Soulevez le capot (3).
2. Tournez l'un des boutons (10) de droite à gauche et amenez la butée de déclenchement (9) à la position souhaitée.



3. Relâchez le bouton. La butée reste fixée.
4. Le premier bras au contact du document déclenche l'agrafage.
5. Si plusieurs machines sont montées en série, les bras des machines esclaves peuvent servir de butée, ils ne déclenchent pas d'agrafage. Leur réglage se fait conformément à la description ci-dessus.
6. Abaissez le capot.
7. Agrafez: amenez le document contre le bras de déclenchement (9).

## 5 REGLAGE DE LA FORCE DE FRAPPE

1. Sélectionnez l'agrafage ou l'épinglage en déplaçant l'enclume (8) (Rapid 105).
2. Mettez l'interrupteur (1) sur 1: le témoin s'allume.
3. Faites un essai en amenant un échantillon contre le bras (9).
4. Inspectez l'agrafe. Une frappe trop faible est caractérisée par des pattes mal formées. Affichez un chiffre supérieur à l'aide du bouton de réglage (2). Une frappe trop puissante est bruyante tout en usant la machine. La machine correctement réglée agrafe au mieux, sans bruit excessif.
5. Ne déclenchez pas l'agrafeuse dans le vide, l'agrafe resterait dans la sortie d'agrafes du magasin.
6. Ne posez pas plusieurs agrafes les unes sur les autres, elles se coinceraient dans la sortie d'agrafes.  
ATTENTION! NE METTEZ PAS LES DOIGTS SOUS LA TÊTE D'AGRAFAGE.

## 6 UTILISATION DE LA PÉDALE DE DÉCLENCHEMENT (14)

1. Coupez le courant à l'aide de l'interrupteur (1) ou soulevez le capot (3).
2. Branchez la pédale à la prise (12) se trouvant derrière la machine.
3. Vous pouvez maintenant utiliser les bras de déclenchement (9) comme de simples butées, car ils sont mis hors service quand la pédale est branchée. Réglez la profondeur d'agrafage selon les instructions ci-dessus.
4. Rabattez le capot, remettez le courant.
5. Agrafez à l'aide de la pédale (14).

## 7 RACCORDEMENT DE PLUSIEURS AGRAFEUSES (MACHINES ESCLAVES)

1. Coupez le courant à l'aide des interrupteurs (1) ou soulevez les capots (3).
2. Disposez les machines en fonction de votre travail.
3. Raccordez toutes les machines au secteur.
4. Choisissez la machine principale, qui déclenchera l'agrafage. Rabattez le cache (11) et

- branchez le câble optique (en option) à la prise supérieure de la machine principale. Cette prise est repérée par une flèche qui s'éloigne de la prise (émission du signal).
5. Branchez l'autre extrémité du câble à la prise inférieure de la machine suivante (esclave) après avoir abaissé son cache (11), repéré par une flèche pointée dans sa direction (réception du signal).  
L'agrafage ne peut être déclenché par le bras de la machine esclave ni par sa pédale.
  6. La machine esclave suivante est reliée par un câble optique allant de la prise supérieure de la machine amont à sa prise inférieure (11), et ainsi de suite.
  7. L'actionnement du bras de la machine principale déclenche son agrafage, suivi successivement par les autres machines avec un léger retard destiné à éviter une surcharge de l'alimentation électrique.
  8. Les bras des machines esclaves feront office de butées.

## 8 RAPID 105 - MONTAGE SUR TABLE DE TRAVAIL

1. Déposez la semelle (20) de l'appareil et la lame de ressort (22) de la semelle.
2. Retournez le ressort de manière à faire dépasser l'extrémité perforée (24) devant la machine. A l'aide des quatre vis fixez le ressort à plat contre la machine. Attention! Les vis sont auto-vissantes.
3. Vissez une vis dans la table destinée à servir de guide à la gorge (23) du ressort. Fixez la machine sur la table par une vis dans le trou provenant (24) du ressort.

## 9 RAPID 106 - EMPLOI AVEC TABLE

1. Placez la machine sur la table et fixez-la solidement par ses vis (21). Le courant doit être coupé pendant le montage.
2. Sélectionnez le type d'agrafage soit à plat, soit à cheval (16) après avoir dévissé le bouton cranté (15). Les bras déclencheurs (9) doivent être ramenés aussi loin en arrière que possible. Vérifiez le positionnement correct de la table sur l'enclume (8) et dans le crochet de rangement (19).
3. La table (16) est munie de quatre butées réglables latéralement. Pour déplacer les deux butées (18) sur l'avant de la table, appuyez sur leur partie inférieure. Les butées peuvent être rabattues quand elles ne sont pas utilisées en les faisant coulisser vers le bord, avant de les abaisser.  
Il suffit de les faire pivoter pour positionner les deux butées (17).



## ENTRETIEN

10

1. Essuyez la poussière, les agrafes et autres objets ayant pu s'accumuler dans l'agrafeuse.
2. Graissez la tête d'agrafage avec une ou deux gouttes d'huile fluide conformément à l'illustration ci-contre tous les 10 000 agrafages. Essuyez les bavures.

## 11 TROUBLES DE FONCTIONNEMENT

- A. Faites fonctionner la tête d'agrafage avec la main.
1. Déposez les agrafes coincées dans la sortie d'agrafes. Vérifiez que les agrafes employées sont du type recommandé pour la machine et que la sortie d'agrafes est en bon état.
  2. Remplacez la tête d'agrafage si elle est usée ou endommagée.
- B. Entraînement. Assurez-vous que:
1. La machine est raccordée au secteur et que l'interrupteur de la machine est en position Marche (le témoin est allumé).
  2. La capot est rabaisé
  3. Vous utilisez le dispositif déclencheur approprié. L'agrafage automatique est en effet mis hors service si une pédale ou un câble optique sont branchés.
  4. Les bras de déclenchement (9) reviennent facilement à une position en butée distincte après chaque déclenchement.
  5. La puissance de frappe sélectionnée est correcte.

Si les troubles de fonctionnement persistent, confiez votre machine à votre fournisseur ou à un atelier agréé pour révision.

N'utilisez pas de machine dont le fil ou la prise d'alimentation sont défectueux ou en mauvais état.

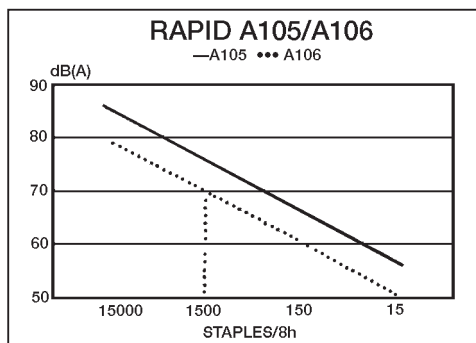
## 12 REMPLACEMENT DE LA TÊTE D'AGRAFAGE RAPID 105

1. Déposez la tôle de verrouillage (13) et sa vis (5).
2. Remplacez la tête d'agrafage. Soulevez le piston (28) pour le remontage.
3. Revissez la tôle (13)

## 13 REMPLACEMENT DE LA TÊTE D'AGRAFAGE RAPID 106

1. Dévissez le bouton cranté (15) et sa vis, et enlevez la table (16)
2. Desserrez les deux vis (26) et tirez la tête agrafeuse vers l'extérieur.
3. mettez en place la nouvelle tête agrafeuse en engageant d'abord l'étrier (19), en position relevée, au-dessus de l'enclume (8).

4. Repoussez le percuteur (28) vers le haut et rabattez l'étrier (19) de manière que sa petite languette soit tournée vers l'intérieur de l'appareil.
5. Engagez la tête agrafeuse tout en maintenant le percuteur en position haute. Nota: Veillez à ce que la languette de l'étrier pénètre dans son trou de guidage.
6. La tête d'agrafage doit être positionnée par rapport à l'enclume avant de pouvoir utiliser la machine. Le réglage se fait à l'aide de la plaque de guidage (27) livrée avec la machine. Sortez le chargeur et engagez la plaque de guidage dans l'éjecteur. Enfoncez le chargeur, abaissez la tête d'agrafage suffisamment fort pour que la plaque de guidage se mette en place dans l'enclume. Maintenez la tête d'agrafage en position et serrez les vis (26). Déposez la plaque de guidage et faites un essai.
7. Remontez la table. NOTA: Le tirant de la table, la vis et le bouton cranté (15) doivent se trouver en avant du bâti tubulaire.



Au plus fort de l'utilisation niveau sonore maximum de.

Ex. 1440 agrafes sur une période de 8 heures donnent 70 db(A) (A106).

Mesure du bruit faite selon ISO 7779 avec possibilité de test supplémentaire: "Appareils électriques: Code "test bruit"

L'équivalent de niveau de bruit 70 dB(A) est une exigence allemande pour le niveau maximum de bruit autorisé les lieux publics tels que les boutiques, zone d'enregistrement, dans les aéroports, réceptions et autres endroits similaires.

## MEDIDAS DE PRECAUCION

1. Lea detenidamente las instrucciones para el uso.
2. Guarde las instrucciones.
3. Aténgase a las advertencias y a los datos indicados en el aparato.
4. Al limpiar el aparato, procure que éste no esté conectado a la red eléctrica. No utilice un producto para la limpieza líquido o frasco atomizador, sino un trapo suave.
5. No utilice el aparato en conexión con agua.
6. Procure que el aparato esté colocado en una base firme.
7. El aparato está provisto de cable de acometida conectado a tierra. Como medida de precaución, procure que el aparato siempre se conecte con un enchufe conectado a tierra.
8. En el caso de defectos no remediabiles con la ayuda de estas instrucciones, póngase inmediatamente en contacto con su suministrador o con su propia estación de servicio.
9. En las averías que a continuación reseñamos, unicamente personal capacitado debería intervenir:
  - A. Al estar dañado el cable de acometida o el enchufe de clavija.
  - B. Si ha penetrado líquido en el aparato.
  - C. Si el aparato ha sido expuesto a lluvia o agua.
  - D. Si el aparato no funciona con normalidad a pesar de haberse seguido las instrucciones para el uso.
  - E. Si el aparato ha caído al suelo o la carcasa ha sido dañada.
  - F. Si el aparato muestra un cambio significativo en su funcionamiento normal.
  - G. No lleve a cabo Vd. mismo otros ajustes que los que están descritos en estas instrucciones.
10. Mantenga los dedos fuera de la zona de grapado.
11. Desconecte la corriente antes de limpiar, ajustar y desplazar el aparato.
12. No deje que los niños usen el aparato sin supervisión de una persona responsable.

## DENOMINACIONES

1. Interruptor principal
  2. Ajuste de potencia
  3. Tapa frontal
  4. Cabezal grapador
  5. Tornillo
  6. Cargador
  7. Fijador del cargador
  8. Yunque
  9. Brazo de disparo
  10. Botón de ajuste de profundidad de grapado
  11. Enchufe para cable óptico
  12. Enchufe para pedal de disparo
  13. Chapa de cierre
  14. Pedal de disparo
  15. Botón en forma de estrella
  16. Mesa
  17. Topes
  18. Topes
  19. Anilla de almacenaje
  20. Chapa de base
- Al encargar piezas de repuesto, especifique el número de la pieza según la lista de

## 1 ESPECIFICACION DEL PRODUCTO

- A. Rapid 105, grapadora de mesa.  
 B. Rapid 106, grapadora de loma con posibilidad de grapado plano.

Los aparatos pueden ser acoplados para el grapado simultáneo de dos o más grapas. El acoplamiento se efectúa con cable óptico. Distancia mínima de grapado 60 mm.

Cada aparato está provisto de dobles mecanismos de disparo independientes. Ajuste variable de profundidad de 0 a 100 mm.

El grapado es efectuado automáticamente al ser guiado el material para grapar hacia el brazo de disparo e introducido en el aparato. Pedal de disparo acompaña la Rapid 106 y es accesorio opcional para la Rapid 105.

Los aparatos tienen cabezal grapador fácilmente sustituible.

Los aparatos están provistos de protección de radiointerferencias.

### DIMENSIONES

#### Rapid 105

Anchura: 60 mm (con chapa de base 100 mm)  
 Largo: 250 mm (con chapa de base 255 mm)  
 Altura: 238 mm (con chapa de base 245 mm)  
 Peso: 3,6 kg

#### Rapid 106

(sin mesa)  
 Anchura: 60 mm,  
 (Yunque: 84 mm)  
 Largo: 250 mm  
 Altura: 438 mm  
 Peso: 4,2 kg más pedal de disparo 0,7 kg

#### Mesa

Anchura: 250 mm  
 Largo: 150 mm  
 Peso: 0,7 kg

### GRAPAS

- C. Grapas originales Rapid 66/6 y 66/8, 210 grasas/cargador.

### ACCESORIOS OPCIONALES

- D. Cable óptico para el acoplamiento de dos o más grapadoras.

### ACCESORIOS OPCIONALES PARA LA RAPID 105

- E. Pedal de disparo  
 F. Tornillo para la sujeción de ajuste variable en mesas.  
 G. Mesa portapieza para sujeción de ajuste variable de hasta cuatro grapadoras (del tamaño

145\_300 mm). Viene acompañada de dos chapas de montaje.

### ACCESORIOS OPCIONALES PARA LA RAPID 106

- H. Mesa estrecha (60 mm) con yunque especial. Mesa provista de dos topes, que también pueden ser usados para la fijación de grapadoras acopladas.  
 I. Guía con accesorios para grapado en lomo, para una o más grapadoras.  
 J. Rapid 252-106 cabezal grapador para grapas de archivo (Rapid 66/6R).  
 K. Grapa de archivo del tipo Rapid 66/6R.

## 2

### CONEXION

El voltaje está indicado en la placa con el número y modelo (colocada según la figura). Antes de conectar el aparato, controle que el enchufe tenga el voltaje apropiado. Corte la corriente cuando no utilice el aparato.

### GRAPAS

Use solamente grapas originales Rapid 66/6 o 66/8. Otras grapas pueden dañar el aparato o producir grapado inferior.

## 3

### RECARGA DE GRAPAS

1. Levante la tapa frontal (3), lo cual impide el grapado.
2. Apriete el fijador del cargador (7) en el frente del cabezal grapador y saque el cargador (6).
3. Recargue las grapas, Rapid 66/6 para material de un grueso de 0 a 2 mm (correspondiente a hasta aproximadamente 20 hojas de papel de copiar 80 g/m<sup>2</sup>) o Rapid 66/8 para material de un grueso de 2 a 5 mm (correspondiente a hasta aproximadamente 50 hojas).
4. Introduzca el cargador hasta posición fijada.
5. Baje la tapa frontal.

## 4

### AJUSTE DE LA PROFUNDIDAD DE GRAPADO

El aparato está provisto de mecanismos de disparo en ambos lados del cabezal grapador. Estos funcionan de modo independiente.

1. Levante la tapa frontal (3).
2. Gire uno de los botones (10) en sentido opuesto a las agujas del reloj, y, al mismo tiempo, mueva el brazo de disparo (9) a la posición deseada.
3. Suelte el botón. El disparador ya está a punto.
4. El primer brazo de disparo al ser tocado por el material a grapar ejecuta el grapado.

5. En el caso de dos o más aparatos acoplados, los brazos de disparo de los "aparatos complementarios" pueden ser utilizados como soporte del material para grapar (no ejecutan grapado), y son ajustados según lo arriba mencionado.
6. Baje la tapa frontal.
7. Para grapar: guíe el material hacia el brazo de disparo (9).

## 5 AJUSTE DE LA POTENCIA DE DISPARO

1. Elija entre grapado y cosido manejando el yunque (8) hacia adelante y hacia atrás respectivamente (se refiere a la Rapid 105).
2. Ponga el interruptor principal (1) en posición 1, se enciende la lámpara en la tecla.
3. Efectue un grapado de ensayo en el material a grapar guiándolo hacia el brazo de disparo (9).
4. Examine el grapado. Con la potencia demasiado floja, se produce un cerrado insuficiente de la grapa - gire el ajuste de potencia (2) a un nivel más elevado. Una potencia demasiado alta causa ruido innecesario e intensifica el desgaste del aparato. Con el ajuste apropiado, el aparato grapa mejor y con baja intensidad de sonido.
5. Nunca efectue grapado sin material, las grapas pueden encasquillarse en la salida.
6. No dispare grapas una encima de la otra, pueden encasquillarse en la salida.  
**CUIDADO! NO INTRODUZCA LOS DEDOS BAJO EL CABEZAL GRAPADOR.**

## 6 APLICACION DEL PEDAL DE DISPARO

1. Corte la corriente por medio del interruptor principal (1) o levante la tapa frontal (3).
2. Conecte el enchufe del pedal de disparo al enchufe situado en el dorso del aparato (12).
3. Los brazos de disparo (9) ya pueden ser utilizados como topes para el material para grapar, no efectúan grapado al estar conectado el pedal de disparo. Ajuste la profundidad deseada según lo mencionado anteriormente.
4. Baje la tapa frontal y apriete el interruptor principal.
5. Grape por medio del pedal de disparo (14).

## 7 ACOPLAMIENTO DE DOS O MAS GRAPADORAS (APARATOS COMPLEMENTARIOS)

1. Corte la corriente por medio de los interruptores principales (1) o levante las tapas frontales (3).
2. Coloque las grapadoras según su deseo.
3. Conecte todas las grapadoras a la red eléctrica.
4. Determine el aparato principal (él que va a efectuar el grapado). Baje la tapa (11) y conecte

el cable óptico (accesorio opcional) a la acometida superior del aparato principal. El enchufe está marcado con una flecha apuntando en dirección del enchufe (señal salida).

5. Conecte el otro enchufe del cable a la acometida inferior del siguiente aparato una vez bajada su tapa (11). El enchufe está marcado con una flecha apuntando hacia el enchufe (señal entrada). El grapado no puede ser efectuado ni por medio del brazo de disparo ni por el pedal de disparo.
6. El siguiente aparato complementario es conectado mediante otro cable óptico partiendo del enchufe superior (11) del primer complementario al enchufe inferior de éste y así sucesivamente.
7. En el caso de contacto con el brazo de disparo del aparato principal o con el pedal de disparo, el aparato principal es el primero en efectuar grapado. A continuación efectúan grapado los aparatos complementarios en el orden de acoplamiento, pero con un ligero retraso, para que no sea sobrecargada la red eléctrica.
8. Los brazos de disparo de los aparatos complementarios se utilizan como topes del material para grapar.

## 8 RAPID 105 - MONTAJE EN MESA DE TRABAJO

1. Separe la chapa de base (20) del aparato y el muelle (22) de la chapa de base.
2. Dé media vuelta al muelle de modo que el extremo con agujero (24) se asome delante del aparato. Junte el muelle horizontalmente a la parte inferior del aparato con los cuatro tornillos.
3. Sujete un tornillo en la mesa de trabajo de modo que la apertura (23) del muelle pueda ser introducida bajo la cabeza del tornillo. Junte con tornillo el aparato a la mesa a través del agujero de delante (24) del muelle.

## 9 RAPID 106 - EMPLEO DE MESA

1. Coloque el aparato y atórnillelo firmemente (21) con la corriente cortada.
2. Elija posición de grapado plano o en lomo en la mesa (16) después de haber aflojado el botón en forma de estrella (15). Al cambiar la posición de la mesa, los brazos de disparo (9) tienen que estar recogidos a la posición más interior. Compruebe que la posición de la mesa en relación con el yunque (8) y con la anilla de almacenaje (19) es la justa.
3. La mesa (16) está provista de cuatro topes, ajustables de lado. Los dos topes (18) del borde delantero de la mesa se mueven apretando la parte inferior. Cuando no se utilizan los topes se les puede dar vuelta, primero empujándolos hacia los extremos.

Los dos topes (17) en la parte estrecha de la mesa pueden ser movidos de lado, dándoles primero la vuelta.

## 10 MANTENIMIENTO

1. Quite el polvo, grapas sueltas y cualquier otra suciedad que puedan haber en el aparato.
2. Lubrifique el cabezal grapador con unas gotas de lubricante diluido, según la ilustración al lado, después de aproximadamente 10.000 grapados.

## 11 PROBLEMAS DE FUNCIONAMIENTO

- A. Ensaye el funcionamiento del aparato a mano.
1. Quite grapas encalladas en la salida. Compruebe que han sido usadas las grapas adecuadas y que la boca de salida está ilesa.
  2. Cambie el cabezal grapador en el caso de daño o de desgaste.
- B. El mecanismo de funcionamiento. Compruebe que:
1. el aparato está conectado a la red eléctrica y que el interruptor principal está apretado (lámpara encendida).
  2. la tapa frontal está bajada.
  3. el dispositivo apropiado de disparo está ajustado. El dispositivo automático de disparo es desconectado cuando se conecte el pedal de disparo o el cable óptico.
  4. los brazos de disparo (9), después de ser pulsados, vuelven hacia adelante a una posición de parada distinta a la de antes de efectuarse un nuevo grapado.
  5. está ajustada la potencia adecuada.

Si permanecen los problemas de funcionamiento, entregue el aparato al suministrador o a un taller autorizado.

No utilice el aparato con cable de conexión o enchufe de clavija defectuoso.

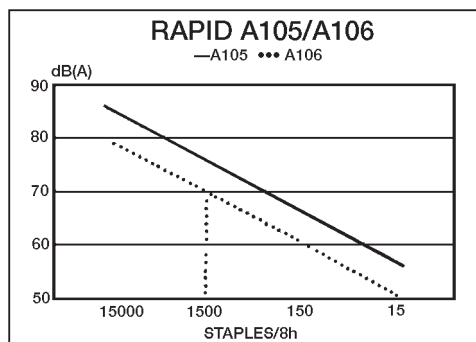
## 12 CAMBIO DE CABEZAL GRAPADOR - RAPID 105

1. Aparte la chapa de cierre (13) con su tornillo (5).
2. Cambie el cabezal grapador. Al montar el nuevo cabezal, el empujador (28) tiene que ser apretado hacia arriba.
3. Atornille la chapa de cierre (13).

## 13 CAMBIO DE CABEZAL GRAPADOR - RAPID 106

1. Quitar el botón en forma de estrella (15) y su tornillo y sacar la mesa (16).
2. Destornille los dos tornillos (26) y extraiga el cabezal hacia fuera. Apriete el empujador (28) hacia arriba y saque el cabezal.

3. Monte el nuevo cabezal introduciendo primero la anilla de almacenaje (19) en posición abierta encima del yunque (8).
4. Apriete el empujador (28) hacia arriba y pliegue la anilla de almacenaje (19) de modo que su punta estrecha dé hacia adentro.
5. Introduzca el cabezal manteniendo levantado el empujador. Advertencia: procure que la punta de la anilla de almacenaje penetre en su agujero guía.
6. Antes de grapar, es necesario ajustar la posición del cabezal en relación al yunque. El ajuste se efectúa por medio de la chapa guía (27) que viene acompañada con el aparato. Saque el cargador y apriete la chapa guía de abajo hacia arriba en la boca de salida de las grapas. Apriete el cabezal con fuerza de modo que la chapa guía encaje en el yunque. Mantenga el cabezal presionado y apriete los tornillos (26). Aparte la chapa guía y efectúe un grapado de ensayo.
7. Sacar la mesa. Nota, el tirante, el tornillo y el botón en forma de estrella (15) de la mesa se colocará delante del bastido tubular.



Equivalente nivel de ruido dB (A) puesto en capacidad y fuerza máxima.

Por ejemplo, 1440 grapas por 8 horas da 70 db (A) (A106).

Medidas de ruido hechas según ISO 7779 con propuesta suplementaria "Graparoras Eléctricas: Código-examen de ruido".

El equivalente nivel de ruido de 70 db(A) es un requerimiento de ruidos máximos impuesto por Alemania en áreas públicas como tiendas, aeropuertos, recepciones y otras áreas similares.

## DISPOZIONI PER LA SICUREZZA

1. Leggere accuratamente le istruzioni per l'uso.
2. Conservare le istruzioni per l'uso.
3. Seguire con attenzione le avvertenze ed i dati riportati sull'apparecchio. Usare l'apparecchio esclusivamente per l'uso a cui è destinato.
4. Prima della pulizia, accertarsi che l'apparecchio non sia collegato a rete. Non usare detergenti liquidi o spray. Usare un panno soffice.
5. Preservare il prodotto dall'acqua.
6. Controllare che l'apparecchio sia appoggiato stabilmente.
7. Qualora l'apparecchio sia dotato di cavo di alimentazione con filo di terra, controllare che la presa di corrente sia dotata di terra, per la vostra sicurezza.
8. In caso di guasto che non sia riparabile con le istruzioni del manuale per l'uso, contattare il fornitore od il reparto di servizio. Eseguire gli interventi seguendo le relative istruzioni sul manuale.
9. Affidarsi esclusivamente a personale qualificato nei seguenti casi:
  - A. Se il cavo di alimentazione o la spia sono danneggiati.
  - B. Se l'apparecchio ha subito infiltrazioni di liquidi.
  - C. Se l'apparecchio è stato esposto alla pioggia oppure all'acqua.
  - D. Se l'apparecchio non funziona normalmente nonostante che le istruzioni siano state seguite con attenzione.
  - E. Se l'apparecchio è caduto per terra oppure se l'involucro è danneggiato.
  - F. Se l'apparecchio presenta considerevoli anomalie di funzionamento.
10. Tenere le dita ben lontane dall'area di lavoro.
11. Interrompere sempre l'alimentazione di corrente prima di ogni intervento di pulizia, messa a punto o movimentazione dell'apparecchio.
12. Non permettere l'uso dell'apparecchio ai bambini, senza la sorveglianza di un adulto.

## DIFENIZIONE

1. Interruttore principale
  2. Regolatore di battuta.
  3. Schermatura.
  4. Gruppo cucitura.
  5. Vite.
  6. Caricatore.
  7. Fermo del caricatore.
  8. Incudine.
  9. Leva di azionamento (regolabile)
  10. Manopola di regolazione profondità del punto.
  11. Presa per cavo ottico.
  12. Presa per comando a pedale.
  13. Lamierino di arresto.
  14. Comando a pedale.
  15. Volantino.
  16. Tavolo.
  17. Fermi per la carta.
  18. Fermi per la carta.
  19. Staffa.
  20. Piastra di fondo.
- Per l'ordinazione dei ricambi indicare il numero d'ordine relativo secondo l'elenco ricambi 197 79-8

## 1 SPECIFICHE DEL PRODOTTO

- A. Rapid 105, cucitrice da tavolo
- B. Rapid 106, cucitrice a sella con possibilità di cuciture in piano

Gli apparecchi sono collegabili in serie per l'applicazione di più graffe contemporaneamente. Il collegamento viene eseguito con cavo ottico. Distanza minima tra i punti: 60 mm.

Ogni apparecchio è dotato di doppi dispositivi di azionamento indipendenti. La profondità della cucitura è regolabile a piacere tra 0 e 100 mm.

La cucitura è automatica, al quando il materiale da cucire viene spinto verso la leva di azionamento dell'apparecchio.

Rapid 106 è dotato di serie di comando a pedale che altrimenti è un accessorio a richiesta per Rapid 105.

Gli apparecchi sono dotati di gruppo di cucitura facilmente sostituibile.

Gli apparecchi sono dotati di schermatura contro l'interferenza radio.

### DIMENSIONI

#### Rapid 105

Larghezza: 60 mm (100 mm con piastra di appoggio)  
 Lunghezza: 250 mm (255 mm con piastra di appoggio)  
 Altezza: 238 mm (245 mm con piastra di appoggio)  
 Peso: 3,6 kg

#### Rapid 106

(senza tavolo)  
 Larghezza: 60 mm (incudine 84 mm)  
 Lunghezza: 250 mm  
 Altezza: 438 mm  
 Peso: 4,2 kg + pedale 0,7 kg

#### Tavolo

(allegato)  
 Larghezza: 250 mm  
 Lunghezza: 150 mm  
 Peso: 0,7 kg

### GRAFFE

- C. Graffe Original Rapid 66/6 e 66/8, 210 graffe/caricatore

### ACCESSORI

- D. Cavo ottico per collegamento in serie di due o più apparecchi.

## ACCESSORI PER RAPID 105

- E. Comando a pedale
- F. Morsetto per montaggio fisso al tavolo
- G. Tavolo per fissaggio regolabile di fino a 4 apparecchi, (dimensioni 145 - 300 mm), con due piastre di montaggio allegate.

## ACCESSORI PER RAPID 106

- H. tavolo stretto (60 mm) con incudine speciale. Dotato di due fermi per la carta, utilizzabili anche per il fissaggio di cucitrici collegate in serie.
- I. Guida con accessori per graffettatura insellata, per uno o più apparecchi.
- J. Rapid 252-106 gruppo di cucitura per graffe circolari Rapid 66/6 R
- K. Graffe circolari tipo Rapid 66/6 R.

## 2 COLLEGAMENTO A RETE

La tensione di alimentazione è indicata sulla targhetta dell'apparecchio. (Posizione cfr. figura). prima del collegamento verificare che la presa di corrente abbia la tensione giusta. Interrompere l'alimentazione di corrente quando l'apparecchio non è usato.

### GRAFFE

Usare solo Graffe Original Rapid 66/6 e 66/8. Altri prodotti possono danneggiare la cucitrice o generare risultati scadenti.

## 3 RIFORMIMENTO DEL CARICATORE

1. Sollevare la protezione (3), impedendo la cucitura.
2. Abbassare il fermo del caricatore (7) sul davanti del gruppo di cucitura ed estrarre il caricatore (6).
3. Ricaricare con le graffette Rapid 66/6 per materiale fino a 2 mm di spessore (circa 20 pagine 80 g/m<sup>2</sup>) oppure Rapid 66/8 per materiale fino a 5 mm di spessore (50 pagine circa).
4. Infilare il caricatore fino alla posizione di arresto.
5. Abbassare la protezione.

## 4 REGOLAZIONE DELLA PROFONDITÀ DEL PUNTO

L'apparecchio è dotato di un meccanismo di azionamento su ciascun lato del gruppo di cucitura. Questi sono indipendenti.

1. Sollevare la protezione (3).

2. Girare una delle manopole (10) in senso antiorario e portare contemporaneamente la leva di azionamento nella posizione voluta.
3. Rilasciare il volantino. La leva è ora bloccata in posizione.
4. La leva che viene toccata per prima dal materiale è quella che aziona l'apparecchio.
5. In presenza di più apparecchi collegati in serie, la leva dell'apparecchio subordinato può essere usata come supporto per il materiale in quanto non può azionare l'apparecchio e viene regolata come sopra.
6. Abbassare la protezione.
7. Cucitura: avvicinare il materiale contro la leva (9).

## 5 REGOLAZIONE DELLA FORZA DI BATTUTA.

1. Scegliere tra spillatura e cucitura spostando l'incudine (8) avanti o indietro (su Rapid 105).
2. Portare l'interruttore (1) in posizione 1, la lampada sul tasto è accesa.
3. Eseguire una prova sul materiale avvicinandolo contro la leva (9).
4. Controllare la cucitura. Se la forza è insufficiente, la graffetta è poco piegata. In tal caso portare il regolatore (2) su un valore più alto. Se la forza è eccessiva l'operazione risulta inutilmente rumorosa e aumenta l'usura della macchina. Se la forza di battuta è corretta, l'apparecchio lavora al meglio e con un minimo di rumore.
5. Non usare l'apparecchio senza materiale, la graffetta può incastrarsi.
6. Non accumulare le graffette una sull'altra, perché possono incastrarsi nella guida di uscita. **PERICOLO! NON METTERE LE DITA SOTTO IL GRUPPO DI CUCITURA.**

## 6 USO DEL COMANDO A PEDALE

1. Interrompere l'alimentazione di corrente con l'interruttore (1) o sollevando la protezione (3).
2. Collegare il contatto del comando a pedale nell'apposita presa (12) sul retro dell'apparecchio.
3. Le leve (9) possono essere ora utilizzate come supporto del materiale in quanto sono escluse dall'inserimento del comando a pedale. Regolare la profondità come indicato sopra.
4. Abbassare la protezione, attivare l'interruttore.
5. Azionare la macchina con il pedale (14).

## 7 COLLEGAMENTO IN SERIE DI PIÙ CUCITRICI (APPARECCHI SUBORDINATI)

1. Interrompere l'alimentazione di corrente con l'interruttore (1) o sollevando la protezione (3).

2. Disporre le cucitrici nella posizione voluta.
3. Collegare a rete tutti gli apparecchi.
4. Decidere quale sia l'apparecchio principale che attiva le cuciture. Abbassare il portello (11) e collegare il cavo ottico (accessorio a richiesta) alla connessione superiore dell'apparecchio principale. La presa è contrassegnata da una freccia verso la presa stessa (= segnale in entrata). L'operazione non può essere avviata né con la leva né con il pedale dell'apparecchio subordinato.
6. Il prossimo apparecchio subordinato viene collegato con cavo ottico dalla presa superiore (11) del primo subordinato a quella inferiore del subordinato successivo (11) e così via.
7. Agendo sulla leva di azionamento o sul pedale dell'apparecchio principale, questo effettua la prima cucitura. Gli apparecchi subordinati partono poi nell'ordine in cui sono collegati in serie, con un ritardo minimo, per non sovraccaricare la rete.
8. Le leve di azionamento degli apparecchi subordinati possono essere usati come fermi per il materiale da cucire.

## 8 RAPID 105 - FISSAGGIO AL TAVOLO DI LAVORO

1. Togliere la piastra di fondo (29) dall'apparecchio e la molla (22) dalla piastra.
2. Girare la molla di mezzo giro in modo che l'estremità con il foro (24) sia davanti all'apparecchio. Avvitare la molla in piano alla parte inferiore dell'apparecchio utilizzando le quattro viti. Osservare che le viti sono autofilettanti.
3. Montare una vite al tavolo di lavoro in modo da poter infilare l'estremità aperta della vite (23) sotto la testa della vite. Avvitare l'apparecchio al tavolo attraverso il foro (24) anteriore della molla.

## 9 RAPID 106 - USO DEL TAVOLO

1. Posizionare l'apparecchio e avvitare saldamente al tavolo (21). La corrente deve essere staccata.
2. Selezionare sul tavolo (16) la cucitura piana o con sellatura dopo aver allentato la manopola (15). Dovendo riposizionare il tavolo, le leve di azionamento devono essere completamente retratte. Controllare che il tavolo sia in posizione sull'incudine (8) e nella staffa (19).
3. Il tavolo (16) è dotato di 4 fermi regolabili lateralmente. I due fermi (18) sul bordo anteriore vengono spostati premendone la parte più bassa. I fermi possono essere abbassati se non sono utilizzati, spingendoli verso l'esterno e quindi girandoli.



I due fermi (17) sui lati corti del tavolo possono essere spostati lateralmente se girati.

## 10

### CURA

1. Eliminare polvere, graffe sciolte e altro sporco accumulatosi nell'apparecchio.
2. Oliare il gruppo di cucitura con un paio di gocce di olio fine secondo l'immagine a lato dopo circa 10.000 operazioni. Asciugare l'olio in eccesso.

## 11

### FUNZIONAMENTO DIFETTOSO

- A. Provare manualmente il funzionamento dell'apparecchio.
1. Togliere le graffe che eventualmente si siano bloccate. Controllare che le graffe usate siano del tipo giusto e che la guida sia integra.
  2. In caso di lesione o usura sostituire il gruppo di cucitura.
- B. Azionamento. Controllare che:
1. L'apparecchio sia collegato a rete e che l'interruttore principale sia inserito (la spia è accesa).
  2. La protezione sia abbassata.
  3. Sia usato il dispositivo di azionamento corretto. Gli automatismi si escludono inserendo il comando a pedale o un cavo ottico.
  4. Le leve di azionamento (9) ritornino in posizione con facilità, pronte alla successiva operazione.
  5. La forza di battuta sia adeguata.

Se l'anomalia persiste, consegnare l'apparecchio al fornitore o ad un centro autorizzato di assistenza. Non usare l'apparecchio se il cavo di alimentazione a rete o la spina sono danneggiati.

## 12

### SOSTITUZIONE DEL GRUPPO DI CUCITURA - RAPID 105

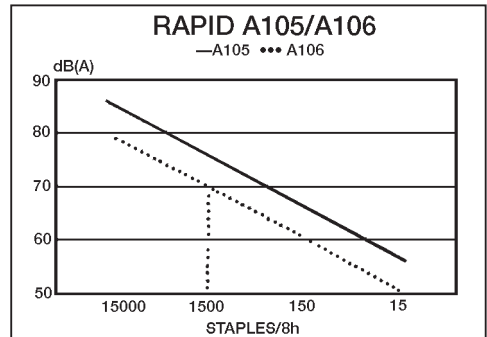
1. Togliere il lamierino di arresto (13) con la vite (5).
2. Sostituire il gruppo di cucitura. Prima di montare il nuovo gruppo bisogna spingere lo stelo di supporto (28) verso l'alto.
3. Riavvitare il lamierino (13).

## 13

### SOSTITUZIONE DEL GRUPPO DI CUCITURA - RAPID 106

1. Togliere la manopola (15) e la vite relativa, sollevando poi il tavolo.
2. Allentare le due viti (26) ed estrarre il gruppo di cucitura. Spingere in fuori lo stelo (28) ed estrarre il gruppo di cucitura.

3. Rimontare il nuovo gruppo infilando prima la staffa (19) in posizione aperta sopra l'incudine (8)
4. Spingere in fuori lo stelo (28) e abbassare la staffa (19) in modo da portare la linguetta più piccola verso l'apparecchio.
5. Infilare il gruppo di cucitura mentre si tiene premuto lo stelo di supporto. Osservare che la linguetta della staffa venga infilata nel relativo foro guida.
6. Prima di procedere alla cucitura, regolare la posizione di gruppo rispetto all'incudine, agendo sulla guida (27) allegata all'apparecchio. Estrarre il caricatore e infilare la guida dal basso nel guida-graffa. Infilare il caricatore. Spingere sul gruppo con forza in modo che la guida vada in sede sull'incudine. Mantenere premuto il gruppo e serrare le viti (26). Togliere la guida e provare l'apparecchio.
7. Montare il tavolo. N.B! Stelo del tavolo, vite e manopola (15) devono essere davanti al supporto del tubo.



Rumorosità equivalente in dB(A) alla capacità e con la forza di battuta massime.

Es.: 1440 graffe in otto ore danno 70 dB(A) (A106).

Le misurazioni della rumorosità sono eseguite secondo ISO 7779 e supplementi "Electrical staples: Noise test code".

Valore limite 70 dB(A) rumorosità equivalente è una norma in Germania per la rumorosità massima nei locali pubblici tipo negozi, ricezione aeroporti e alberghi e simili.

# VEILIGHEIDSINSTRUCTIES

1. Lees de instructies en de gebruiksaanwijzing eerst grondig door.
2. Bewaar de instructies.
3. Hou rekening met de waarschuwingen en gegevens op het apparaat. Gebruik het apparaat uitsluitend waarvoor het bedoeld is.
4. Zorg ervoor dat het apparaat niet aangesloten is op het net wanneer u het schoonmaakt. Gebruik geen vloeibare reinigingsmiddelen of een spray. Gebruik in plaats daarvan een vochtige doek.
5. Gebruik het apparaat nooit in verband met water.
6. Zorg ervoor dat het apparaat op een stevige ondergrond staat.
7. Wanneer het apparaat een geaard snoer heeft, moet dit aangesloten worden op een geaard stopcontact. Dit is erg belangrijk omwille van de veiligheid.
8. In geval van een storing/defect dat niet verholpen kan worden met behulp van de instructies in de gebruiksaanwijzing, moet u contact opnemen met de leverancier of uw eigen service-afdeling.  
U mag zelf alleen de in de gebruiksaanwijzing beschreven instellingen uitvoeren.
9. Laat ontstane defecten altijd verhelpen door erkend servicepersoneel wanneer:
  - A. Het snoer of de stekker beschadigd is.
  - B. Er vocht in het apparaat is gekomen.
  - C. Als het apparaat blootgesteld werd aan regen of water.
  - D. Als het apparaat niet naar behoren werkt, ondanks het feit dat de instructies van de gebruiksaanwijzing gevolgd werden.
  - E. Als het apparaat op de vloer is gevallen of de behuizing beschadigd werd.
  - F. Als het apparaat opvallend anders werkt.
10. Hou uw vingers uit de buurt van het niet-gebied.
11. Onderbreek de stroom voor u het apparaat schoonmaakt, instelt of verplaatst.
12. Laat het apparaat nooit bedienen door kinderen tenzij onder supervisie van een bevoegd persoon.

## BENAMINGEN

1. Hoofdschakelaar
2. Slagsterktehendel
3. Vizier
4. Nietinzetstuk
5. Schroef
6. Magazijn
7. Magazijnvergrendeling
8. Aanbeeld
9. Trekkerarm (verstelbaar)
10. Instelknop, nietdiepte
11. Aansluiting voor optische kabel
12. Aansluiting voor pedaaltrekker
13. Borgplaat
14. Pedaaltrekker
15. Sterknop
16. Tafel
17. Papieraanslagen
18. Papieraanslagen
19. Opslagbeugel
20. Voetplaat

Wanneer u reserveonderdelen bestelt, moet u het op de reserveonderdelenlijst 197 79-8 vermelde reserveonderdeelnummer vermelden.

## 1 PRODUKTSPECIFICATIE

- A. Rapid 105 Tafelnietapparaat  
B. Rapid 106 Zadelnietapparaat met vlak nieten.

De apparaten kunnen aan elkaar gekoppeld worden om tegelijkertijd meerdere nieten te kunnen aanbrengen.

Dit koppelen gebeurt met behulp van een optische kabel.

De minimum nietafstand bedraagt 60 mm.

Elk apparaat is voorzien van dubbele, van elkaar onafhankelijke, trekkermechanismen.

De nietdiepte is traploos verstelbaar van 0 tot 100 mm.

Het nieten gebeurt automatisch wanneer het te nieten materiaal naar de trekkerarm in het apparaat wordt geduwd.

Bij de Rapid 106 wordt een pedaaltrekker meegeleverd die als optie leverbaar is voor de Rapid 105.

Het nietinzetstuk van de apparaten kan gemakkelijk vervangen worden.

De apparaten zijn voorzien van een radio-ontstoring.

### AFMETINGEN

#### Rapid 105

Breedte: 60 mm (met voetplaat 100 mm)  
Lengte: 250 mm (met voetplaat 255 mm)  
Hoogte: 238 mm (met voetplaat 245 mm)  
Gewicht: 3,6 kg

#### Rapid 106

(zonder tafel)  
Breedte: 60 mm  
(Aanbeeld: 84 mm)  
Lengte: 250 mm  
Hoogte: 438 mm  
Gewicht: 4,2 kg + pedaaltrekker 0,7 kg

#### Tafel

(wordt meegeleverd)  
Breedte: 250 mm  
Lengte: 150 mm  
Gewicht: 0,7 kg

### NIETEN

- C. Originele Rapid nieten 66/6 en 66/8, 210 nieten/magazijn.

### EXTRA ACCESSOIRES

- D. Optische kabel voor samen koppelen van twee of meerdere nietapparaten.

### EXTRA ACCESSOIRES VOOR RAPID 105

- E. Pedaaltrekker  
F. Klem voor verstelbaar bevestigen op tafel.

- G. Industrietafel voor verstelbaar bevestigen van maximum 4 nietapparaten, (grootte 145 x 300 mm). 2 montageplaten worden meegeleverd.

### EXTRA ACCESSOIRES VOOR RAPID 106

- H. Smalle tafel (60 mm) met speciaal aanbeeld.  
Tafel voorzien van 2 papieraanslagen die ook gebruikt kunnen worden om samengekoppelde nietapparaten vast te zetten.  
I. Rail met accessoire voor zadelnieten, voor EËn of meerdere nietapparaten.  
J. Rapid 252-106 nietinzetstuk voor ringnieten (Rapid 66/6R).  
K. Ringnieten type Rapid 66/6R.

## 2

### AANSLUITING

De spanning wordt aangegeven op het typeplaatje van de machine. (Plaats zie afb. 2). Controleer voor u de machine aansluit of het stopcontact de juiste spanning heeft. Trek de stekker uit het stopcontact wanneer het apparaat niet gebruikt wordt.

### NIETEN

Gebruik uitsluitend originele Rapid 66/6 of 66/8 nieten. Andere nieten kunnen het apparaat beschadigen of een slecht nietresultaat opleveren.

## 3

### NIETEN LADEN

1. Klap het vizier (3) omhoog - dan kan er niet geniet worden.
2. Druk de magazijnvergrendeling (7) op de voorkant van het nietinzetstuk omlaag en trek het magazijn (6) eruit.
3. Laad het magazijn met nieten, Rapid 66/6 voor materiaal met een dikte van 0-2 mm (komt overeen met circa 20 bladzijden kopieerpapier 80 k/m<sup>2</sup>) of Rapid 66/8 voor materiaal met een dikte van 2-5 mm (komt overeen met circa 50 bladzijden).
4. Duw het magazijn in de vergrendelde stand.
5. Klap het vizier omlaag.

## 4

### NIETDIEPTE INSTELLEN

Het apparaat is aan beide zijden van het nietinzetstuk uitgerust met een trekkermechanisme. Deze mechanismen werken onafhankelijk van elkaar.

1. Klap het vizier (3) omhoog.
2. Draai EËn van de knoppen (10) tegen de klok in en duw tegelijkertijd de trekkerarm (9) in de gewenste stand.
3. Laat de knop los. De trekker is nu vergrendeld.
4. De trekkerarm die het eerst in aanraking komt met het te nieten materiaal, schakelt het nietmechanisme in.
5. Als er meerdere nietapparaten aan elkaar gekoppeld zijn, kunnen de trekkerarmen van

de nevenapparaten gebruikt worden als steun voor het te nieten materiaal (deze armen schakelen het nietmechanisme niet in). Ze moeten ingesteld worden zoals hierboven aangegeven.

6. Klap het vizier omlaag.
7. Nietten: duw het te nieten materiaal tegen de trekkerarm (9).

## 5 SLAGSTERKTE INSTELLEN

1. Kies nieten of spijkers door het aanbeeld (8) respectievelijk naar voor of achter te duwen. (Geldt voor Rapid 105).
2. Zet de hoofdschakelaar (1) in stand 1, het lampje in de toets brandt.
3. Test eerst door het te het nieten materiaal tegen de trekkerarm (9) te duwen.
4. Controleer de niet. Als de slagsterkte te laag is, buigt de klem niet voldoende - zet de knop voor de slagsterkte (2) op een hoger cijfer. Een te hoge slagsterkte veroorzaakt onnodig lawaai en lijdt tot snellere slijtage van het apparaat. Als het juist ingesteld is, levert het apparaat het beste nietvermogen op en blijft het geluidsniveau laag.
5. Niet nooit zonder materiaal, anders kan de niet vast komen te zitten in de uitloop.  
**WAARSCHUWING! HOU NOOIT UW VINGERS ONDER HET NIETINZETSTUK!**

## 6 PEDAALTREKKER (14) GEBRUIKEN

1. Onderbreek de stroom met de hoofdschakelaar (1) of klap het vizier (3) omhoog.
2. Sluit het contact van de pedaaltrekker aan op de aansluiting (12) aan de achterkant van het apparaat.
3. De trekkerarmen (9) kunnen nu gebruikt worden als aanslag voor het te nieten materiaal, ze schakelen het nietmechanisme niet in omdat de pedaaltrekker ingeschakeld is. Stel de gewenste nietdiepte in zoals hierboven aangegeven.
4. Klap het vizier omlaag, schakel de hoofdschakelaar in.
5. Niet met behulp van de pedaaltrekker (14).

## 7 SAMENKOPPELEN VAN VERSCHILLENDE NIETAPPARATEN (NEVENAPP.)

1. Onderbreek de stroom met de hoofdschakelaar (1) of klap het vizier (3) omhoog.
2. Zet de nietapparaten in de gewenste positie.
3. Sluit alle apparaten aan op het stroomnet.
4. Bepaal welk apparaat het hoofdapparaat wordt (het apparaat dat het nietmechanisme inschakelt). Duw het luik (11) naar beneden en sluit de optische kabel (extra accessoire) aan op de bovenste aansluiting van het hoofdapparaat. De aansluiting is gemerkt met een pijl die van de aansluiting weg wijst (= uitgaand signaal).
5. Sluit de tweede aansluiting aan op de onderste aansluiting van het volgende apparaat (nevenapparaat) nadat u het luik (11) van het

apparaat naar beneden heeft geduwd. Aansluiting gemerkt met een pijl die naar de aansluiting toe wijst (= binnenkomend signaal). Het nietmechanisme kan niet ingeschakeld worden met de trekkerarm van het nevenapparaat of met de pedaaltrekker.

6. Het volgende nevenapparaat moet aangesloten worden met de optische kabel van de bovengeste aansluiting (11) van het eerste nevenapparaat naar de onderste aansluiting (11) van het volgende nevenapparaat enz. vervolg op volgende blz.
7. Wanneer de trekkerarm of pedaaltrekker van het hoofdapparaat beïnvloed worden, niet eerst het hoofdapparaat. Daarna nieten de nevenapparaten in de volgorde waarin ze aangesloten zijn, maar met een korte vertraging. Dit om overbelasting van het stroomnet te voorkomen.
8. De trekkerarmen van de nevenapparaten kunnen het best gebruikt worden als aanslag voor het te nieten materiaal.

## 8 RAPID 105 - BEVESTIGEN OP WERKTAFEL

1. Demonteer de voetplaat (20) van het apparaat en de veer (22) van de voetplaat.
2. Draai de veer een halve slag zodat het uiteinde met opening (24) voor het apparaat rekt. Schroef de veer met behulp van de vier schroeven recht vast op de onderkant van het apparaat. Opgelet, de schroeven zijn zelftappend.
3. Bevestig een schroef in de werktafel zo dat de open groeven (23) van de veer onder de schroefkop geduwd kunnen worden. Schroef het apparaat vast op de tafel door de voorste opening (24) in de veer.

## 9 RAPID 106 - GEBRUIKEN VAN TAFEL

1. Plaats het apparaat op de gewenste plaats en schroef het stevig vast (21). De stroom moet onderbroken zijn.
2. Kies de vlak- of zadelnietpositie op de tafel (16) nadat u de sterknop (15) los heeft gedraaid. Wanneer de instelling van de tafel wordt gewijzigd, moeten de trekkerarmen (9) zich in de binnenste positie bevinden. Controleer of de tafel recht op het aanbeeld (8) en in de lagerbeugel (19) zit.
3. De tafel (16) heeft vier aanslagen die zijdelings verstelbaar zijn. De beide aanslagen (18) aan de voorkant van de tafel worden verplaatst door op het onderste gedeelte van de tafel te drukken. Wanneer ze niet gebruikt worden kunnen de aanslagen naar beneden gedraaid worden, door ze eerst naar de buitenkant te duwen en er daarna aan te draaien. De beide aanslagen (17) aan de korte zijden van de tafel kunnen zijdelings verplaatst worden als men er eerst aan draait.

## 10

## ONDERHOUD

1. Verwijder stof, nieten en ander vuil die zich in het apparaat hebben opgehoopt.
2. Smeer na circa 10 000 nieten het nietinzetstuk met een paar druppels dunne olie zoals aangegeven op de afbeelding. Verwijder overtollige olie.

## 11

## STORINGEN

- A. Test de werking van het nietinzetstuk manueel.
    1. Nieten die vast zijn komen te zitten in de uitloop moeten verwijderd worden. Controleer of de juiste nieten gebruikt worden en of de nietuitloop niet beschadigd is.
  2. Vervang het nietinzetstuk wanneer het beschadigd of versleten is.
- B. Aandrijving. Controleer of:
    1. het apparaat aangesloten is op het stroomnet en of de hoofdschakelaar ingeschakeld is (lampje brandt).
    2. het vizier omlaag geklapt is.
    3. het juiste trekkermechanisme gebruikt wordt. Het automatisch trekkermechanisme wordt uitgeschakeld wanneer de pedaaltrekker of de optische kabel wordt aangesloten.
    4. de trekkerarmen 89) na aanraking opnieuw terug naar voor gaan naar een duidelijke stoppositie en klaar zijn om te nieten.
    5. de juiste slagsterkte ingesteld is.

Als er nog steeds een storing is, moet u het apparaat binnenbrengen bij de leverancier of bij een erkende werkplaats voor service. Het apparaat mag niet gebruikt worden wanneer de aansluitkabel of de zekering defect zijn.

## 12

NIETINZETSTUK VERVANGEN -  
RAPID 105

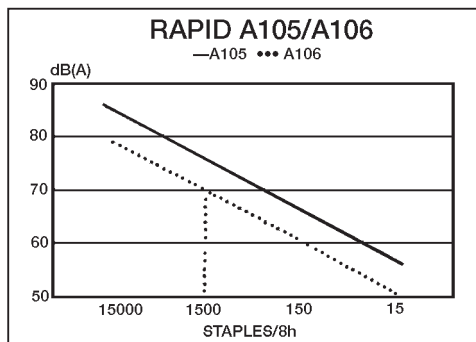
1. Demonteer de borgplaat (13) met bijbehorende schroeven (5).
2. Vervang het nietinzetstuk. Wanneer men het nieuwe nietinzetstuk monteert, moet de duwstang (28) omhoog gedrukt worden.
3. Schroef de borgplaat (13) vast.

## 13

NIETINZETSTUK VERVANGEN -  
RAPID 106

1. Demonteer de sterknop (15) en de schroeven en til de tafel (16) eraf.
2. Maak de twee schroeven (26) los en trek het nietinzetstuk naar buiten toe. Druk de duwstang (28) omhoog en haal het nietinzetstuk eruit.
3. Monteer het nieuwe nietinzetstuk door eerst de lagerbeugel (19) in uitgeklapte toestand over het aanbeeld (8) te duwen.
4. Druk de duwstang (28) omhoog en klap de lagerbeugel (19) omlaag zodat de kleine lippen naar het apparaat wijzen.

5. Duw het nietinzetstuk naar binnen terwijl u de duwstang omhoog gedrukt houdt. Let op: zorg ervoor dat de lippen van de lagerbeugel in hun stuuropeningen terecht komen.
6. Voor het nieten moet de positie van het nietinzetstuk in verhouding tot het aanbeeld ingesteld worden. Het instellen gebeurt met behulp van de geleideplaat (27) die bij het apparaat geleverd wordt. Trek het magazijn eruit en duw de geleideplaat van beneden naar boven in de nietuitloop. Duw het magazijn erin. Druk het nietinzetstuk hard naar beneden zodat de geleideplaat in het aanbeeld past. Hou het nietinzetstuk ingedrukt en haal de schroeven (26) aan. Demonteer de geleideplaat en niet eerst op proef.
7. Monteer de tafel. N.B.! de stang, schroef en sterknop (15) moeten voor het buizenstatief geplaatst worden.



Equivalent geluidsniveau dB(A) bij maximum capaciteit en slagsterkte.

B.v 1440 nieten per 8 uur geeft 70dB(A) (106). Geluidmetingen uitgevoerd volgens ISO 7779 met aanvullend voorstel "Elektrische nietapparaten: Geluidtestcode".

Het equivalent geluidsniveau 70dB(A) is in Duitsland het maximum toegelaten maximum geluidsniveau in openbare ruimtes zoals winkels, luchthavencheckin, recepties e.d.

# INSTRUÇÕES DE SEGURANÇA

1. Leia atentamente todo o manual de instruções.
2. Guarde as instruções.
3. Siga as advertências e dados indicados no aparelho. Utilize o aparelho somente para os fins a que este se destina.
4. Certifique-se de que o aparelho não está ligado à corrente eléctrica ao efectuar a limpeza. Não use nenhum agente de limpeza líquido nem vaporizador. Use apenas um pano macio.
5. Não use o produto em serviços relacionados com água.
6. Providencie para que o aparelho esteja sobre uma base firme.
7. Nos casos em que o aparelho esteja equipado com fio eléctrico de ligação à terra, ligue-o a uma tomada com contacto terra.
8. Se ocorrer algum defeito que não possa ser reparado com o auxílio do manual de instruções, contacte sempre o seu concessionário ou o próprio serviço de assistência técnica.  
Execute por sua própria conta, somente as regulações descritas no manual de instruções.
9. Deixe sempre as reparações a cargo do pessoal especializado nos seguintes casos:
  - A. Quando o fio eléctrico ou a ficha estiverem danificados.
  - B. Se houve penetração de líquido no aparelho.
  - C. Se o aparelho foi exposto a chuva ou água.
  - D. Se o aparelho não funcionar normalmente, apesar de terem sido seguidas as instruções do manual.
  - E. Se o aparelho caiu ao chão ou a cobertura foi danificada.
  - F. Se o aparelho apresentar alguma alteração marcante no seu funcionamento normal.
10. Mantenha os dedos afastados da zona de agrafagem.
11. Desligue a corrente eléctrica antes de efectuar limpeza, ajuste ou deslocamento do aparelho.
12. Não permita que crianças utilizem o aparelho sem a vigilância de uma pessoa responsável.

# DESIGNAÇÕES

1. Interruptor principal
  2. Comando da força de impacto
  3. Viseira
  4. Alimentador de agrafes
  5. Parafuso
  6. Depósito
  7. Bloqueio do depósito
  8. Bigorna
  9. Braço disparador (ajustável)
  10. Botão de ajuste, profundidade de agrafagem
  11. Tomada para cabo óptico
  12. Tomada para disparador de pedal
  13. Chapa bloqueadora
  14. Disparador de pedal
  15. Volante
  16. Mesa
  17. Bloqueio de papel
  18. Bloqueio de papel
  19. Anel de apoio
  20. Base
- Ao encomendar peças de reposição, indique o número das mesmas conforme a lista de peças de reposição 197 79-8

## 1 ESPECIFICAÇÃO DO PRODUTO

- A. Rapid 105 Agrafador de mesa.  
B. Rapid 106 Agrafador de suporte com possibilidade deagrafagem plana.

Os aparelhos são acopláveis em conjunto paraagrafagem de vários pregos simultaneamente. A acoplagem conjunta faz-se por meio de cabo óptico.

Mínima distância entre agrafes 60 mm.

Cada aparelho está dotado de dispositivos disparadores duplos e independentes entre si. A profundidade do agrafe é ajustável em variação contínua 0-100 mm.

Aagrafagem ocorre automaticamente quando o material aagrafar é movido contra o braço disparador no aparelho.

O disparador de pedal acompanha o Rapid 106 e é oferecido como equipamento extra para o Rapid 105.

Os aparelhos possuem alimentadores de agrafes de fácil substituição.

Os aparelhos estão equipados com supressores de ruído.

### DIMENSÕES

#### Rapid 105

Largura: 60 mm (com base 100 mm)  
Comprimento: 250 mm (com base 255 mm)  
Altura: 238 mm (com base 345 mm)  
Peso: 3,6 kg

#### Rapid 106

(sem a mesa)	<b>Mesa</b> (incluída)
Largura: 60 mm	Largura: 250 mm
Bigorna: 84 mm	Comprimento: 150 mm
Comprimento 250 mm	Peso: 0,7 kg
Altura: 438 mm	
Peso: 4,2 kg + disparador de pedal 0,7 kg	

### GRAMPOS

- C. Grampo Original Rapid 66/6 e 66/8, 210 grampo/depósito.

### ACESSÓRIOS EXTRA

- D. Cabo óptico para acoplamento de dois ou vários aparelhos deagrafar.

### ACESSÓRIOS EXTRA PARA O RAPID 105

- E. Disparador de pedal  
F. Grampo para fixação ajustável na mesa.

- G. Mesa industrial para fixação ajustável de até 4 agrafadores, (tamanho 145-300 mm). Duas placas de montagem incluídas.

### ACESSÓRIOS EXTRA PARA O RAPID 106

- H. Mesa estreita (60 mm) com bigorna especial. Mesa dotada de 2 bloqueios de papel que também se podem usar para fixação de vários agrafadores acoplados.  
I. Calha com acessórios paraagrafagem de suporte, para um ou vários agrafadores.  
J. Rapid 252-106 alimentadores para anéis de aperto Rapid 66/6R).  
K. Anéis de aperto tipo Rapid 66/6R).

## 2

### LIGAÇÃO

A tensão está indicada na placa de identificação do aparelho (posição indicada na fig.). Antes de ligar, verifique se a tensão da tomada é a correcta. Desligue a corrente eléctrica quando o aparelho não estiver em uso.

### GRAMPOS

Use somente grampos originais Rapid 66/6 ou 66/8. Outro tipo de grampo poderá danificar o aparelho ou efectuar uma máagrafagem.

## 3

### CARREGAR COM GRAMPOS

1. Levante a viseira (3) - aagrafagem é então impedida.
2. Prima o bloqueio do depósito (7) na parte frontal do alimentador e puxe o depósito (6) para fora.
3. Carregue com grampos, Rapid 66/6 para materiais agrafáveis com espessura de 0-2 mm (corresponde a 20 folhas de papel cópia 80 g/m<sup>2</sup>) ou Rapid 66/8 para materiais agrafáveis com espessura de 2-5 mm (corresponde a até 50 folhas).
4. Empurre o depósito para a posição de bloqueio.
5. Abaixee a viseira.

## 4

### REGULAÇÃO DA PROFUNDIDADE DE AGRAFAGEM

O aparelho está equipado com um mecanismo disparador em cada lado do alimentador. Estes funcionam independentemente um do outro.

1. Levante a viseira (3)
2. Gire a pega (10) no sentido horário e mova simultaneamente o braço disparador (9) para a posição desejada.
3. Solte a pega. O disparador está agora fixo.
4. O braço disparador que for tocado primeiro pelo material aagrafar, faz aagrafagem funcionar.



- No caso de vários aparelhos acoplados em conjunto, os braços disparadores dos aparelhos em sujeição podem-se usar com apoio para o material a agrafar (os mesmos não disparam a agrafagem) e são ajustados conforme acima descrito.
- Abaixe a viseira.
- Agrafar: Mova o material a agrafar em direcção ao braço disparador (9)

## 5 REGULAÇÃO DA FORÇA DE IMPACTO

- Escolha agrafagem fechada ou aberta, levando a bigorna (8) para a frente e para trás, respectivamente (válido para o Rapid 105).
- Coloque o interruptor principal (1) na posição. A lâmpada na tecla acende-se.
- Teste a agrafagem no material em questão, movendo-o em direcção ao braço disparador (9).
- Examine o resultado. Uma força de impacto demasiado baixa causa uma insuficiente flexão do grampo - gire o ajuste da força de impacto (2) para uma cifra mais elevada. Uma força de impacto demasiado elevada causa um ruído excessivo e aumenta o desgaste do aparelho. Com a regulação correcta, o aparelho agrafa melhor e com baixo nível de ruído.
- Nunca agrafe sem material para agrafar. o grampo pode ficar entalado na corrediça de saída.  
Atenção! Não ponha os dedos sob o alimentador!

## 6 UTILIZAÇÃO DO DISPARADOR DE PEDAL

- Desligue a corrente eléctrica com o interruptor principal (1) ou levante a viseira (3).
- Ligue o contacto do disparador de pedal à tomada (12) na parte traseira do aparelho.
- Os braços disparadores (9) podem agora ser usados como bloqueios para o material a agrafar, os mesmos não accionam a agrafagem quando o disparador de pedal está ligado. Ajuste na profundidade de agrafagem desejada conforme o acima descrito.
- Abaixe a viseira, ligue o interruptor principal.
- Agrafe com o disparador de pedal (14).

## 7 ACOPLAMENTO DE VÁRIOS AGRAFADORES

- Desligue a corrente eléctrica com o interruptor principal (1) ou levante a viseira (3).
- Ordene os agrafadores na posição desejada.
- Ligue todos os aparelhos à rede eléctrica.
- Decida qual será o aparelho principal (dispara a agrafagem). Abaixar a tampa (11) e ligue o cabo óptico (opção) à conexão superior do aparelho principal. A tomada está marcada com uma seta saindo da tomada (= sinal de saída).

- Ligue o outro contacto do cabo à conexão inferior do próximo aparelho (sujeição), após abaixar a tampa (11) desse. A tomada está marcada com uma seta em direcção à tomada (= sinal de entrada). A agrafagem não pode ser disparada com o braço disparador do aparelho em sujeição nem com o disparador de pedal.
- O aparelho em sujeição seguinte liga-se com o cabo óptico a partir da tomada superior do primeiro aparelho em sujeição (11) até à tomada inferior do aparelho em sujeição seguinte, e assim sucessivamente.
- Ao activar-se o braço disparador do aparelho principal ou disparador de pedal, o aparelho principal agrafa primeiro. Os aparelhos em sujeição agrafam em seguida e na ordem em que estão acoplados mas com um pequeno retardamento para não sobrecarregar a rede eléctrica.
- Os braços disparadores dos aparelhos em sujeição podem ser convenientemente usados como bloqueios para o material a agrafar.

## 8 RAPID 105 - FIXAÇÃO À MESA DE TRABALHO

- Remova a base (20) do aparelho e a mola (22) da base.
- Gire a mola meia volta de modo que a sua extremidade com o orifício (24) alcance a frente do aparelho. Aparafuse firmemente a mola nivelando-a junto à parte inferior do aparelho com os quatro parafusos. Observe que os parafusos são auto-roscentes.
- Fixe um parafuso na mesa de trabalho de modo que os sulcos (23) abertos da mola possam-se deslocar para baixo da cabeça do parafuso. Aparafuse bem o aparelho à mesa através do orifício dianteiro (24) na mola.

## 9 RAPID 106 - USO DA MESA

- Coloque o aparelho e aparafuse-o firmemente (21). A corrente eléctrica deverá estar desligada.
- Escolha posição de agrafagem plana ou com suporte sobre a mesa (16) após afrouxar o volante (15). Ao reajustar-se a mesa, os braços disparadores (9) deverão estar movidos para a posição mais interior. Verifique se a mesa posicionou-se na bigorna (8) e anel de apoio (19) correctos.
- A mesa (16) é dotada de quatro bloqueios, ajustáveis lateralmente. Ambos os bloqueios (18) no bordo dianteiro da mesa movem-se pressionando-se a sua parte inferior. Os bloqueios podem-se girar para baixo quando não são utilizados, movendo-os para o bordo externo e depois sendo girados. Ambos os bloqueios (17) dos lados mais estreitos da mesa podem-se mover lateralmente se forem girados primeiro.



## 10

## MANUTENÇÃO

1. Remova poeira, grampos soltos e outras sujidades que se acumularam sobre o aparelho.
2. Lubrifique o alimentador com um par de gotas de óleo fino, após 10.000 agrafagens, conforme a figura do lado oposto. Remova o excesso de óleo.

## 11

## PROBLEMAS DE FUNCIONAMENTO

- A. Teste a função do alimentador manualmente.
1. Grampos que ficarem entalados na corredeira de saída removem-se. Verifique se está a ser aplicado o grampo correcto e se a saída dos grampos não está danificada.
  2. Substitua o alimentador se estiver danificado ou gasto.
- B. Sistema de accionamento. Verifique se:
1. O aparelho está ligado à rede eléctrica e o interruptor principal está ligado (lâmpada acesa).
  2. A viseira deve estar abaixada.
  3. Está a ser usado o dispositivo disparador correcto. O disparador automático é desligado quando se acoplam o cabo óptico ou o disparador de pedal.
  4. Os braços disparadores (9) após activados retornam facilmente para a frente, para uma posição de paragem distinta, antes de uma nova agrafagem.
  5. A força de impacto correcta está ajustada.

Se persistirem problemas de funcionamento, entregue o aparelho aos cuidados do concessionário ou oficina autorizada para serviço. Não use um aparelho com fio eléctrico ou ficha defeituosos.

## 12

SUBSTITUIÇÃO DO ALIMENTADOR -  
RAPID 105

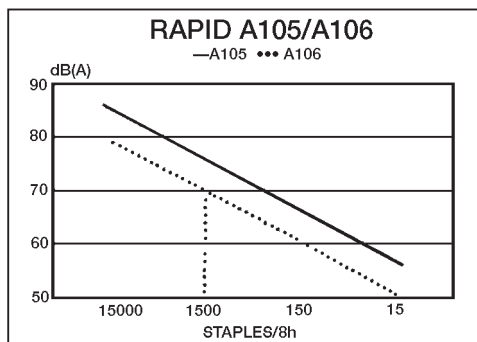
1. Remova a chapa de bloqueio (13) com o seu parafuso (5).
2. Substitua o alimentador. Ao montar o novo alimentador, a haste de compressão (28) deve ser premeida para cima.
3. Aparafuse firmemente a chapa de bloqueio (13).

## 13

SUBSTITUIÇÃO DO ALIMENTADOR -  
RAPID 106

1. Remova o volante (15), o seu parafuso e levante a mesa (16).
2. Afrouxe os dois parafusos (26) e puxe o alimentador para fora. Pressione para cima a haste de compressão (28) e retire o alimentador.

3. Monte o novo alimentador introduzindo primeiro o anel de apoio (19) na posição distendida sobre a bigorna (8).
4. Pressione para cima a haste de compressão (28) e abaixe o anel de apoio (19) de modo que o seu lobo estreito aponte para dentro do aparelho.
5. Empurre para dentro o alimentador enquanto a haste de compressão é mantida pressionada para cima. N.B. - faça com que o lobo do anel de apoio seja introduzido no seu orifício de guia.
6. Antes de agrafar é necessário ajustar a posição do alimentador em relação à bigorna. O ajuste é feito com o auxílio da chapa de guia (27) que acompanha o aparelho. Puxe o depósito para fora e introduza a chapa de guia por baixo, na saída dos grampos. Empurre o depósito para dentro. Pressione o alimentador para baixo de modo que a chapa de guia se ajuste à bigorna. Mantenha o alimentador premido e aperte os parafusos (26). Remova a chapa de guia e teste a agrafagem.
7. Monte a mesa. N.B. - a barra da mesa, parafusos e volante (15) colocam-se em frente à armação tubular.



Nível sonoro equivalente dB(A) a uma capacidade e força de impacto máximos.

Ex. 1440 grampos em 8 horas resultam em 70 dB(A) (A106).

Medições sonoras executadas em conformidade com a norma ISO 7779, com a proposta suplementar "Electrical staplers: Noise test code".

O limite de 70dB(A) do nível sonoro equivalente é uma exigência na Alemanha quanto ao nível sonoro máximo em locais públicos tais como lojas comerciais, check-in em aeroportos, recepções, etc.

# SÄKERHETSINSTRUKTIONER

1. Läs igenom instruktion och bruksanvisning nogga.
2. Spara instruktionerna.
3. Följ varningar och data angivna på apparaten.
4. Se till att apparaten ej är ansluten till nätet vid rengöring.  
Använd inte flytande rengöringsmedel eller sprayer. Använd istället en mjuk trasa.
5. Använd inte produkten i samband med vatten.
6. Se till att apparaten står på ett stadigt underlag.
7. Apparaten är försedd med jordad anslutningskabel. Se till att apparaten alltid ansluts till jordat uttag. Detta är en säkerhetsåtgärd.
8. Vid fel som ej kan åtgärdas med hjälp av bruksanvisningens instruktioner kontakta alltid din leverantör eller egen serviceavdelning.
9. Låt alltid kvalificerad servicepersonal åtgärda uppkomna fel i följande fall:
  - A. När anslutningskabel eller stickkontakt är skadad.
  - B. Om vätska kommit in i apparaten.
  - C. Om apparaten har utsatts för regn eller vatten.
  - D. Om apparaten inte fungerar normalt trots att instruktionerna i bruksanvisningen har följts.
  - E. Om apparaten har fallit i golvet eller höljet blivit skadat.
  - F. Om apparaten visar en markant förändring i sin normala funktion.
  - G. Utför själv endast justeringar som finns beskrivna i bruksanvisningen.
10. Håll fingrarna utanför häftområdet.
11. Bryt strömmen före rensning, justering och förflyttning av apparaten.
12. Låt ej barn använda apparaten utan uppsikt av ansvarig person.

## BENÄMNINGAR

1. Huvudströmbrytare
2. Slagstyrkereglage
3. Visir
4. Insatshäftare
5. Skruv
6. Magasin
7. Magasinspärr
8. Städ
9. Utlösarm (justerbar)
10. Inställningsvred, häftdjup
11. Uttag för optisk kabel
12. Uttag för pedallösare
13. Låsplåt
14. Pedallösare
15. Stjärnratt
16. Bord
17. Pappersstoppar
18. Pappersstoppar
19. Lagringsbygel
20. Fotplatta

Vid beställning av reservdelar ange reservdelsnummer enligt reservdelslista 197 79-8

## 1 PRODUKTSPECIFIKATION

- A. Rapid 105 Bordshäftare.  
 B. Rapid 106 Sadelhäftare med möjlighet till planhäftning.

Apparaterna är sammankopplingsbara för häftning av flera klammer samtidigt. Sammankopplingen sker med optisk kabel. Minsta häftavstånd 60 mm.

Varje apparat är försedd med dubbla, av varandra oberoende, utlösningsanordningar. Häftdjupet steglost inställbart 0-100 mm.

Häftning sker automatiskt när häftgodset förts mot utlösarmen in i apparaten. Pedalutlösare medföljer Rapid 106 och finns som extra tillbehör till Rapid 105.

Apparaterna har lätt utbytbar insatshäftare.

Apparaterna är försedda med radiostörningsskydd.

### DIMENSIONER

#### Rapid 105

Bredd: 60 mm (med fotplatta 100 mm)  
 Längd: 250 mm (med fotplatta 255 mm)  
 Höjd: 238 mm (med fotplatta 245 mm)  
 Vikt: 3,6 kg

#### Rapid 106

(utan bordet)  
 Bredd: 60 mm,  
 (Städ: 84 mm)  
 Längd: 250 mm  
 Höjd: 438 mm  
 Vikt: 4,2 kg +  
 pedalutlösare 0,7 kg

#### Bord

(medföljer)  
 Bredd: 250 mm  
 Längd: 150 mm  
 Vikt: 0,7 kg

### KLAMMER

- C. Original Rapid klammer 66/6 och 66/8, 210 klammer/magasin.

### EXTRA TILLBEHÖR

- D. Optisk kabel för sammankoppling av två eller flera häftapparater.

### EXTRA TILLBEHÖR FÖR RAPID 105

- E. Pedalutlösare  
 F. Tving för ställbar fastsättning på bord.  
 G. Industribord för ställbar fastsättning av upp till 4 häftare, (storlek 145\_300 mm). 2 st monteringsplattor medföljer.

## EXTRA TILLBEHÖR FÖR RAPID 106

- H. Smalt bord (60 mm) med specialstäd. Bord försedd med 2 pappersstoppar, vilka också kan användas för fixering av sammankopplade häftare.  
 I. Skena med tillbehör för sadelhäftning, för en eller flera häftare.  
 J. Rapid 252-106 insatshäftare för ringklammer (Rapid 66/6R).  
 K. Ringklammer typ Rapid 66/6R.

## 2

### ANSLUTNING

Spänningen finns angiven på apparatens typskylt. (Placering se fig.) Före anslutning kontrollera att uttaget har rätt spänning. Bryt strömmen när apparaten ej används.

### KLAMMER

Använd endast original klammer Rapid 66/6 eller 66/8. Annan klammer kan skada apparaten eller ge dålig häftning.

## 3

### LADDNING AV KLAMMER

- Lyft visiret (3) - häftning är då förhindrad.
- Tryck ned magasinsspärren (7) på insatshäftarens front och drag ut magasinet (6).
- Ladda med klammer, Rapid 66/6 för häftgods med 0-2 mm:s tjocklek (motsvarar upp till ca 20 ark kopieringspapper 80 g/m<sup>2</sup>) eller Rapid 66/8 för häftgods med 2-5 mm:s tjocklek (motsvarar upp till ca 50 ark).
- Skjut in magasinet till spärrat läge.
- Fäll ner visiret.

## 4

### INSTÄLLNING AV HÄFTDJUP

Apparaten är försedd med en utlösningmekanism på vardera sidan om insatshäftaren. Dessa fungerar oberoende av varandra.

- Lyft visiret (3).
- Vrid ett av vreden (10) moturs och för samtidigt utlösarmen (9) till önskat läge.
- Släpp vredet. Utlösaren är nu fastlåst.
- Den utlösarm som först berörs av häftgods utlöser häftning.
- Vid flera sammankopplade apparater kan "slavapparaternas" utlösarmar användas som stöd för häftgodset (de utlöser ej häftning) och de ställs in enligt ovan.
- Fäll ner visiret.
- Häfta: för häftgodset mot utlösarmen (9).

**5 INSTÄLLNING AV SLAGSTYRKA**

1. Välj häftning eller nålning genom att föra städet (8) framåt respektive bakåt. (Gäller Rapid 105).
  2. Ställ huvudströmbrytaren (1) i läge: 1, lampan i tangenten lyser.
  3. Provhäfta i aktuellt häftgods genom att föra in det mot utlösarmen (9).
  4. Undersök häftningen. För låg slagstyrka ger dålig vikning av klammern - vrid slagstyrkereg-laget (2) till en högre siffra. Alltför hög slagstyrka ger onödigt buller och ökar apparatens förs-litning. Vid rätt inställning häftar apparaten bäst och med låg ljudnivå.
  5. Häfta aldrig utan häftgods, klammer kan fastna i utloppet.
  6. Häfta inte flera klammer på varandra, klammer kan fastna i utloppet.
- VARNING! FÖR EJ IN FINGRARNÄ UNDER INSATSHÄFTAREN.**

**6 ANVÄNDNING AV PEDALUTLÖSARE**

1. Bryt strömmen med huvudströmbrytaren (1) eller lyft visiret (3).
2. Anslut pedalutlösarens kontakt till uttaget (12) på apparatens baksida.
3. Utlösarmarna (9) kan nu användas som stoppar för häftgodset, de utlöser inte häftning då pedalutlösaren är inkopplad. Ställ in önskat häftdjup enligt ovan.
4. Fäll visiret, slå på huvudströmbrytaren.
5. Häfta med pedalutlösaren (14).

**7 SAMMANKOPPLING AV FLERA HÄFTARE (SLAVAPP.)**

1. Bryt strömmen med huvudströmbrytarna (1) eller lyft visiren (3).
2. Placera häftapparaterna enligt önskemål.
3. Anslut samtliga apparater till elnätet.
4. Bestäm huvudapparat (utlöser häftningarna). För ner luckan (11) och anslut den optiska kabeln (extra tillbehör) till huvudapparatens övre anslutning. Uttaget är markerat med pil från uttaget (=utgående signal).
5. Anslut kabelns andra kontakt till nästa apparats (slavens) nedre anslutning sedan des-slucka (11) förts ner. Uttaget markerat med pil mot uttaget (= ingående signal). Häftning kan ej utlösas med slavens utlösarm eller pedalutlösare.
6. Nästa slavapparat ansluts med optisk kabel från första slavens övre uttag (11) till nästa slavs nedre uttag (11) osv.
7. Vid påverkan av huvudapparatens utlösarm eller pedalutlösare häftar först huvudappara-ten. Slavapparaterna häftar därefter i den ord-

- ning de är inkopplade, men med en kort fördröjning. Detta för att elnätet ej skall överbe-lastas.
8. Slavapparaternas utlösarmar kan lämpligen användas som stoppar för häftgodset.

**8 RAPID 105-FASTSÄTTNING PÅ ARBETSBORD**

1. Tag bort fotplattan (20) från apparaten och fjä-dern (22) från fotplattan.
2. Vänd fjädern ett halvt varv så att dess ände-med håll (24) räcker framför apparaten. Skruva fast fjädern plant mot apparatens undersida med de fyra skruvarna. Observera, skruvarna är självgående.
3. Sätt fast en skruv i arbetsbordet så att fjäderns öppna spår (23) kan skjutas in under skruvskal-len. Skruva fast apparaten i bordet genom det främre hålet (24) i fjädern.

**9 RAPID 106-ANVÄNDNING AV BORD**

1. Placera apparaten och skruva fast den stadigt (21). Strömmen skall vara bruten.
2. Välj plan- eller sadelhäftningsläge på bordet (16) efter att ha lossat på stjärnratten (15). Vid omställning av bordet skall utlösarmarna (9) vara tillbakaförda till innersta läget. Kontrollera att bordet hamnat rätt på städet (8) och i lag-ringsbygeln (19).
3. Bordet (16) är försett med fyra stoppar, ställ-bara i sidled. De båda stopparna (18) på bor-dets framkant flyttas genom att man trycker på dess nedre del. Stopparna kan vridas ner då de ej används genom att de skjuts ut till ytterkan-ten, och sedan vrids. De båda stopparna (17) på bordets kortsidor kan flyttas i sidled om de först vrids.

**10 SKÖTSEL**

1. Avlägsna damm, lösa klammer och annat skräp som kan ha samlats i apparaten.
2. Smörj insatshäftaren med ett par droppar tunn olja enligt vidstående bild efter ca 10.000 häft-ningar. Torka bort överskottsolja.

**11 DRIFTSSTÖRNINGAR**

- A. Prova insatshäftarens funktion för hand.
  1. Klammer som fastnat i utloppet avlägsnas. Kontrollera att rätt klammer använts och att klammerutloppet är oskadat.
  2. Byt insatshäftare vid skada eller förslitning.
- B. Drivsystemet. Kontrollera att:

1. apparaten är ansluten till elnätet och att huvudströmbrytaren är tillslagen (lampan lyser).
2. visiret är nerfällt.
3. rätt utlösaranordning används. Den automatiska utlösningsanordningen urkopplas då pedallösare eller optisk kabel är inkopplad.
4. utlösarmarna (9) efter påverkan lätt återgår framåt till ett distinkt stoppläge före ny häftning.
5. rätt slagstyrka är inställd.

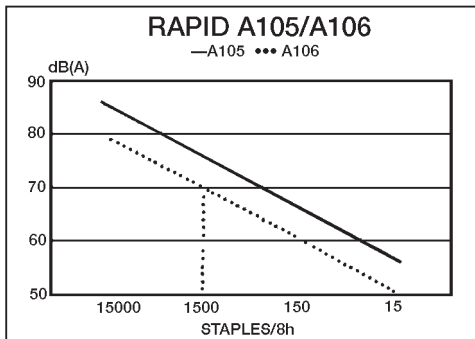
Kvarstår driftsstörning, lämna apparaten till leverantören eller auktoriserad verkstad för service. Använd ej apparat med defekt anslutningskabel eller stickpropp.

## 12 BYTE AV INSATSHÄFTARE - RAPID 105

1. Tag bort låsplåten (13) med dess skruv (5).
2. Byt insatshäftaren. Vid montering av den nya insatshäftaren måste stötstängens (28) tryckas upp.
3. Skruva fast låsplåten (13).

## 13 BYTE AV INSATSHÄFTARE - RAPID 106

1. Tag bort stjärnratten (15) och dess skruv samt lyft av bordet (16).
2. Lossa de två skruvarna (26) och drag insatshäftaren utåt. Tryck upp stötstängens (28) och ta ut insatshäftaren.
3. Montera den nya insatshäftaren genom att först föra in lagringsbygeln (19) i utfällt läge över städet (8).
4. Tryck upp stötstängens (28) och fäll lagringsbygeln (19) så att dess smala flik pekar in i apparaten.
5. Skjut in insatshäftaren medan stötstängens hålls upptryckt. Observera: se till att lagringsbygels flik förs in i sitt styrhåll.
6. Före häftning är det nödvändigt att justera insatshäftarens läge i förhållande till städet. Justeringen görs med hjälp av styrplåten (27) som medföljer apparaten. Drag ut magasinet och för upp styrplåten underifrån i klammerutloppet. Skjut in magasinet. Tryck ner insatshäftaren hårt så att styrplåten passar i städet. Håll insatshäftaren nertryckt och drag åt skruvarna (26). Tag bort styrplåten och provhäfta.
7. Montera bordet. OBS, bordets stag, skruv och stjärnratt (15) skall placeras framför rörstativet.



Ekvivalent ljudnivå dB(A) vid maximal kapacitet och slagstyrka.

Ex. 1440 klammer på 8 timmar ger 70 dB(A) (A106).

Ljudmätningar utförda enligt ISO 7779 med supplementförslag "Electrical staplers: Noise test code".

Gränsvärdet 70dB(A) ekvivalent ljudnivå är ett krav i Tyskland för maximal ljudnivå i allmänna lokaler typ affärer, flygplatsincheckning, receptioner och liknande.

# SIKKERHEDSVEJLEDNING

1. Læs instruktioner og brugervejledning grundigt igennem.
2. Gem instruktionerne
3. Følg advarselsskilte og data som sidder på hæftemaskinen. Brug kun hæftemaskinen til hæftning.
4. Sørg for at hæftemaskinen ikke er tilsluttet strømforsyning under rengøring. Brug aldrig flydende rengøringsmiddel eller spraydåser. Brug i stedet en blød klud.
5. Hæftemaskinen må ikke komme i nærheden af vand.
6. Sørg for at hæftemaskinen står på et fast underlag.
7. I de tilfælde hvor hæftemaskinen skal tilsluttes jordforbindelse, skal hæftemaskinen tilsluttes stik med jordforbindelse. Dette er en forholdsregel for sikkerhed.
8. Ved fejl som ikke kan rettes vha. brugervejledningen, skal leverandør eller egen serviceafdeling altid kontaktes. Udfør kun selv justeringer, som er beskrevet i brugervejledningen.
9. Lad altid kvalificerede serviceteknikere rette fejl i følgende tilfælde:
  - A. Når tilslutningskabel eller stikkontakt er beskadiget.
  - B. Hvis der er løbet væske i hæftemaskinen.
  - C. Hvis hæftemaskinen har været udsat for regn eller vandskade.
  - D. Hvis hæftemaskinen ikke fungerer korrekt på trods af at instruktionerne i brugervejledning har været fulgt nøje.
  - E. Hvis hæftemaskinen er faldet på gulvet eller beskyttelseskappen er beskadiget.
  - F. Hvis hæftemaskinen viser en markant ændring i normal funktion.
10. Hold fingre uden for hæfteområdet.
11. Afbryd strømmen for rengøring, justering og flytning af hæftemaskinen.
12. Lad aldrig børn bruge hæftemaskinen uden opsyn af ansvarlige personer.

## BETEGNELSER

1. Hovedafbryder
  2. Slagstyrkeregulator
  3. Beskyttelsesskærm
  4. Hæfteindsats
  5. Skrue
  6. Magasin
  7. Magasinspærre
  8. Hæftestøtte
  9. Udløserarm (justerbar)
  10. Indstillingsknapper, hæftedybde
  11. Spjæld til optisk kabel
  12. Stik til pedaludløser
  13. Låseplade
  14. Pedaludløser
  15. Stjernegreb
  16. Hæftesadel
  17. Anlæg
  18. Papirstoppere
  19. Lagerbøjle
  20. Sokkel
- Ækvivalent lydniveau dB(A) ved maksimal kapacitet og slagstyrke
- Eks. 1440 hæfteklammer på 8 timer giver 70 dB(A) (Rapid 106)
- Lydmåling udføres kun i henhold til ISO 7779 "Electrical Staplers: Noise test code" med supplerende forslag
- Grænseværdiens 70 dB(A) ækvivalente lydniveau er et krav i Tyskland for maksimalt lydniveau i almindelige lokaler som f.eks. forretninger, check-in i lufthavne, receptionslokaler og lignende.

## 1 PRODUKTSPECIFIKATION

- A. Rapid 105 bordhæftemaskine.
- B. Rapid 106 saddelehæftemaskine med mulighed for planhæftning.

Hæftemaskinerne kan sammenkobles til hæftning af flere hæfteklammer samtidigt. Sammenkoblingen sker med optisk kabel. Mindste hæfteafstand er 60 mm.

Hver hæftemaskine er forsynet med dobbelte, uafhængige udløsningsmekanismer. Hæftedybden kan reguleres trinløst 0-100 mm.

Hæftning sker automatisk, når hæftematerialet føres henimod udløserarmen i hæftemaskinen. Pedaludløser medfølger Rapid 106 og findes som ekstraudstyr til Rapid 105.

Hæftemaskinerne er udstyret med hæfteindsats, som nemt kan udskiftes.

### DIMENSIONER

#### Rapid 105

Bredde: 60 mm (med sokkel 100 mm)  
Længde: 250 mm (med sokkel 255 mm)  
Højde: 238 mm (med sokkel 245 mm)  
Vægt: 3,6 kg

#### Rapid 106

(uden bord)  
Bredde: 60 mm,  
(med underlag 84 mm)  
Længde 250 mm  
Højde: 438 mm  
Vægt: 4,2 kg + pedaludløser 0,7 kg

#### Bord

(medfølger)  
Bredde: 250 mm  
Længde: 150 mm  
Vægt: 0,7 kg

- C. Originale Rapid hæfteklammer 66/6 og 66/8, 210 hæfteklammer/magasin.

### EKSTRA TILBEHØR

- D. Optisk kabel til sammenkobling af to eller flere hæftemaskiner.

#### EKSTRA TILBEHØR FOR RAPID 105

- E. Pedaludløser.
- F. Indstillelig skruevinge for fastgørelse til bord.
- G. Indstilleligt industribord for fastgørelse af op til 4 hæftemaskiner (størrelse 145 x 300 mm), 2 stk. monteringsplader medfølger.

#### EKSTRA TILBEHØR FOR RAPID 106

- H. Smalt bord (60 mm) med special hæftesadel.

Bordet er udstyret med 2 papirstoppere, som også kan bruges til at fastgøre sammenkoblede hæftemaskiner.

- I. Skinne med tilbehør for sadelhæftning til en eller flere hæftemaskiner.
- J. Rapid 252-106 hæfteindsats til ringklammer (Rapid 66/6R).
- K. Rapid 66/6 ringklammer.

Ved bestilling af reservedele skal angives reservedelsnummer i henhold til reservedelsliste 197 79-8.

## 2

### TILSLUTNING

Strømspændingen er angivet på hæftemaskinens typeskilt. (Placering se fig.). Før hæftemaskinen tilsluttes strøm, skal man kontrollere om stikket har den rette strømspænding.

### HÆFTEKLAMMER

Brug kun originale Rapid 66/6 eller 66/8 hæfteklammer. Andre hæfteklammer kan ødelægge hæftemaskinen eller give dårlig hæftning.

## 3

### ISÆTNING AF HÆFTEKLAMMER

1. Løft beskyttelseskærmen (3) - hæftning er forhindret.
2. Tryk magasinspærren (7) ned på foran på hæfteindsatsen og træk magasinet (6) fri.
3. Isæt Rapid 66/6 hæfteklammer til hæftemateriale med en sværhedsgrad på 0-2 mm (svarer til ca. 20 ark 80 g/m<sup>2</sup> kopieringspapir) eller Rapid 66/8 hæfteklammer til hæftemateriale med en sværhedsgrad på 2-5 mm (svarer til ca. 50 ark kopieringspapir).
4. Skub magasinet på plads i magasinspærren.
5. Sænk beskyttelseskærmen.

## 4

### INDSTILLING AF HÆFTEDYBDE

Hæftemaskinen er udstyret med udløsermekanisme på hver side af hæfteindsatsen. Udløsermekanismerne fungerer uafhængigt af hinanden.

1. Løft beskyttelseskærmen (3).
2. Drej på en af indstillingsknapperne (10) mod uret og før samtidigt udløserarmen (9) til den ønskede stilling.
3. Slip indstillingsknappen. Udløserarmen er nu fastlåst.
4. Den udløserarm, som først berøres af hæftemateriale udløser hæftemekanismen.
5. Hvis der er flere hæftemaskiner sammenkoblet kan "slavemaskinernes" udløserarme bruges

som støtte for hæftemateriale (de aktiverer ikke hæftemekanismen), og de indstilles i henhold til ovenstående fremgangsmåde.

- Sænk beskyttelsesskærmen.
- Hæftning: Før hæftematerialet hen til udløserarmen (9).

## 5 INDSTILLING AF SLAGSTYRKE

- Vælg hæfte- eller nåleindstilling ved enten at føre hæftestøtten (8) fremad eller bagud. (Gælder Rapid 105).
- Indstil hovedafbryderen (1): 1, lysdioden på betjeningspanelet lyser.
- Foretag en hæfteprøve i aktuelt hæftemateriale ved at føre det hen imod udløserarmen (9).
- Kontroller hæfteindstillingen. For lav slagstyrke giver dårlig bøjning af klammerne - indstil slagstyrkeregulatoren (2) til et højere tal. For høj slagstyrke giver unødige rynker i hæftematerialet og nedslider hæftemaskinen. Hæftemaskinen hæfter bedst ved korrekt indstilling og støjer ikke så meget.
- Der må aldrig foretages hæftning uden hæftemateriale, hæfteklammer kan sætte sig fast i hæftemekanismens udgang.
- Hæfteklammer må ikke hæftes oven i hinanden, hæfteklammer kan sætte sig fast i hæftemekanismens udgang.  
ADVARSEL! SÆT IKKE FINGRE UNDER HÆFTEINDSATSSEN.

## 6 ANVENDELSE AF PEDALUDLØSER

- Afbryd strømmen med hovedafbryderen (1) eller løft beskyttelsesskærmen (3).
- Tilslut pedaludløserens stik til pedaludløserens stik (12) bag på hæftemaskinen.
- Udløserarmene (9) kan nu anvendes som stop for hæftemateriale, hæftning kan ikke finde sted, når pedaludløseren er tilkoblet. Indstil den ønskede hæftedybde i henhold til ovenstående fremgangsmåde.
- Sænk beskyttelsesskærmen, tænd for hovedafbryderen.
- Hæftning finder sted med pedaludløser.

## 7 SAMMENKOBLING AF FLERE HÆFTEMASKINER (SLAVEMASKINE)

- Afbryd strømmen med hovedafbryderen (1) eller løft beskyttelsesskærmen (3).
- Placer hæftemaskinerne efter eget behov.
- Tilslut alle hæftemaskiner til strømforsyningen.
- Bestem hovedhæftemaskine (udløser hæftning). Sænk spjældet (11) og tilslut optisk kabel (ekstra tilbehør) til hovedhæftemaskinens øverste tilslutningsstik. Stikket er forsynet med en pil fra stikket (= udgående signal).

- Tilslut kablets andet stik til næste hæftemaskines (slavemaskines) nederste stik, efter spjældet (11) er sænket. Stikket er forsynet med en pil imod stikket (= indgående signal). Hæftning kan ikke finde sted fra slavemaskinens udløserarm eller pedaludløser.
- Næste slavemaskine tilsluttes med optisk kabel fra første slavemaskines øverste stik (11) til næste slavemaskines nederste stik (11) osv.
- Hovedhæftemaskinen starter hæftning, når hovedhæftemaskinens udløserarm eller pedaludløser påvirkes. Slavemaskinerne hæfter derefter i den orden, de er tilkoblet men med en lille forsinkelse. Det er for at undgå overbelastning af de elektriske installationer.
- Slavemaskinernes udløserarme kan nemt bruges som anlæg for hæftemateriale.

## 8 RAPID 105 - FASTGØRELSE PÅ ARBEJDSBORD

- Fjern soklen (20) fra hæftemaskinen samt fjederen (22) fra soklen.
- Vend fjederen en halv omgang, så den ende med hullet (24) vender fremad på hæftemaskinen. Skru fjederen fast med fire skruer, så den er plan imod hæftemaskinens underside. Læg mærke til at skrueerne er selvsikrørende.
- Skru en skrue fast i arbejdsbordet, så fjederens åbne spor (23) kan skubbes ind under skruehovedet. Skru hæftemaskinen fast på arbejdsbordet ved forreste hul (24) i fjederen.

## 9 RAPID 106 - ANVENDELSE AF HÆFTESADLEN

- Placer hæftemaskinen og skru den helt fast (21). Strømmen skal være afbrudt.
- Efter at have løsnet stjernegrebet (15), vælges indstilling for plan- eller sadelhæftning på hæftesadlen (16). Ved omstilling af hæftesadlen skal udløserarmene (9) være ført tilbage til nederste stilling. Kontroller at hæftesadlen sidder korrekt på hæftestøtten samt i lagerbøjlen (19).
- Hæftesadlen (16) er forsynet med fire papirstoppere, som kan indstilles sideværts. Begge papirstoppere (18) på hæftesadlens forkant kan flyttes ved at trykke på den nederste kant. Papirstopperne kan vippe ned, hvis de ikke er i brug ved at skubbe dem ud til yderkanten og derefter drejes. Begge anlæg (17) på hæftesadlens smalle sider kan flyttes sideværts, hvis de først drejes.

## 10 VEDLIGEHOLDELSE

- Fjern støv, løse hæfteklammer og andet snavs



som kan være opbygget indeni hæftemaskinen.

- Smør hæfteindsatsen med et par dråber tynd olie som vist på illustrationen ved siden af efter ca. 10.000 hæftninger. Fjern overskydende olie med en blød klud.

## 11 DRIFTSFORSTYRRELSER

A. Afprøv funktionen af hæfteindsatsen pr. håndkraft.

- Hæfteklammer som har sat sig fast i hæfteme-kanismens udgang skal fjernes. Kontroller, at det er de korrekte hæfteklammer, der bruges, og at hæfteme-kanismens udgang er ubeskadiget.
- Udskift hæfteindsats, hvis den er beskadiget eller nedslidt.

B. Drevsystem. Kontroller at:

- Hæftemaskinen er tilsluttet strømforstyrning, og at hovedafbryderen er tændt (lysdioden lyser).
- Beskyttelsesskærmen er sænket.
- Der bruges korrekt udløseranordning. Den automatiske udløseranordning frakobles, når pedaludløser eller optisk kabel er tilsluttet.
- Udløserarmene (9) efter påvirkning let kan flyttes fremad til en bestemt stopindstilling før hver ny hæftning.
- Der er indstillet korrekt slagstyrke.

Hvis der stadig er driftsforstyrrelser, skal hæftemaskinen indleveres til leverandør eller autoriseret værksted for serviceeftersyn. Hæftemaskinen må ikke bruges med defekt tilslutningskabel eller stik.

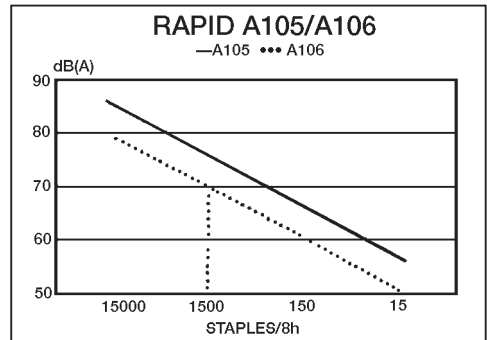
## 12 UDSKIFTNING AF HÆFTEINDSATS - RAPID 105

- Fjern låsepladen (13) ved at løsne skruen (5).
- Udskift hæfteindsatsen. Ved montering af den nye hæfteindsats skal støttestangen (28) trykkes op.
- Skrue låsepladen (13) fast.

## 13 UDSKIFTNING AF HÆFTEINDSATS - RAPID 106

- Fjern stjernegrebet (15) og dets skrue og løft hæftesadlen (16) fri.
- Løsn de to skrue (26) og træk hæfteindsatsen ud.
- Monter den nye hæfteindsats ved først at sætte lagerbøjlen (19) i det udstansede leje over hæftestøtten (8).
- Tryk støttestangen (28) op og sænk lagerbøjlen (19), så den smalle flig peger ind imod hæftemaskinen.

- Skub til hæfteindsatsen, imens støttestangen holdes oppe. OBS! Sørg for at lagerbøjlen flig føres ind i sit styrehul.
- Før hæftning finder sted er det nødvendigt at justere hæfteindsatsens leje i forhold til hæftestøtten. Justeringen gøres vha. styrepladen (27), som leveres med hæftemaskinen. Træk hæftemagasinet fri og før styrepladen nedfra ved udgangen af hæfteklammer. Skub magasinet på plads. Tryk hæfteindsatsen ned med et fast greb, så styrepladen passer til hæftestøtten. Hold hæfteindsatsen nedtrykt imens skrue-erne (26) skrues fast. Fjern styrepladen og foretag en prøvehæftning.
- Monter hæftesadlen. OBS! Hæftesadlens støt-teanordning, skrue og stjernegreb (15) skal placeres foran rørstativet.



Ækvivalent lydniveau dB(A) ved maksimal kapacitet og slagstyrke.

Eks. 1440 hæfteklammer på 8 timer giver 70 dB(A) (A 106).

Lydmåling udføres kun i henhold til ISO 7779 "Electrical Staplers: Noise test Code" med supplerende forslag.

Grænsværdiens 70 dB(A) ækvivalente lydniveau er et krav i Tyskland for maksimalt lydniveau i almindelig lokaler som f.eks. forretninger, check-in i lufthavne, receptionslokaler og lignende.

# TURVALLISUUSOHJEET

1. Lue turvallisuus- ja käyttöohjeet huolellisesti.
2. Säädä ohjeet.
3. Noudata laitteen varoituksia ja merkintöjä.
4. Varmista, että laitetta ei ole kytketty sähköverkkoon, kun sitä puhdistetaan. Älä käytä puhdistusnesteitä tai sumutteita. Käytä pehmeää riepua.
5. Estä veden pääsy koneeseen.
6. Varmista, että kone on tukevalla alustalla.
7. Koneessa on maadoitettu liitäntäkaapeli. Varmista, että kone kytketään aina maadoitettuun pistorasiaan. Kysymyksessä on oma turvallisuutesi.
8. Jos vikaa ei korjata käyttöohjeiden avulla, käännä aina koneen toimittajan tai oman huolto-osastosi puoleen.
9. Anna koulutetun henkilökunnan korjata kone seuraavissa tapauksissa:
  - A. Kun verkkojohdin tai pistotulppa on vaurioitunut.
  - B. Jos koneeseen on joutunut nestettä.
  - C. Jos kone on joutunut sateeseen tai kastunut.
  - D. Jos kone ei toimi normaalisti, vaikka käyttöohjeita on noudatettu.
  - E. Jos kone on pudonnut lattialle tai sen kotelo on vaurioitunut.
  - F. Jos laitteen toiminnassa on havaittavissa selviä muutoksia.
  - G. Tee itse vain sellaiset säädöt, jotka sisältyvät käyttöohjeisiin.
10. Pidä sormet poissa koneen nidohta-alueelta.
11. Katkaise virta ennen koneen puhdistamista, säätämistä ja siirtämistä.
12. Älä anna lasten käyttää konetta yksikään ilman siitä vastaavaa henkilön valvontaa.

## NIMIKKEET

1. Päävirtakytkin
  2. Iskuvoiman säädin
  3. Suojus
  4. Nitomayksikkö
  5. Ruuvi
  6. Lipas
  7. Lippaan salpa
  8. Alasin
  9. Laukaisuvarsi (säädettävä)
  10. Nitomasyyvyyden säätönupit
  11. Valokaapelin liitin
  12. Laukaisupolkimen liitin
  13. Lukkolevy
  14. Laukaisupoljin
  15. Lukitusruuvi
  16. Pöytä
  17. Paperinrajoittimet
  18. Paperinrajoittimet
  19. Tukisanka
  20. Jalkalevy
- Varaosia tilattaessa käytä varaosaluettelon 197 79-8 mukaisia varaosnumeroita.

1

**TEKNISET TIEDOT**

- A. Rapid 105 pöytänitomakone.  
 B. Rapid 106 satulanitomakone, mahdollisuus käyttää tasonidontaa.

Yhteiskäyttö mahdollistaa usean sinkilän samaan aikaan nitomisen. Koneet yhdistetään toisiinsa valokaapelilla. Sinkilöiden vähimmäisetäisyys on 60 mm.

Jokaisessa koneessa on kaksi toisistaan riippumatonta laukaisulaitetta. Nitomasyvyyden voi säätää portaattomasti alueella 0-100 mm.

Kone toimii automaattisesti, kun nidottava materiaali työnnetään koneen laukaisuvarsta vasten. Laukaisupoljin sisältyy Rapid 106:een ja sen saa lisävarusteena Rapid 105:een.

Koneissa on helposti vaihdettavat nitomayksiköt.

Koneet on suojattu niin, etteivät ne aiheuta radiohäiriöitä.

**MITAT****Rapid 105**

Leveys: 60 mm (jalkalevyineen 100 mm)  
 Pituus: 250 mm (jalkalevyineen 255 mm)  
 Korkeus: 238 mm (jalkalevyineen 245 mm)  
 Paino: 3,6 kg

**Rapid 106**

(ilman pöytää)

Leveys: 60 mm  
 (Nitoma-alasin: 84 mm)  
 Pituus: 250 mm  
 Korkeus: 438 mm  
 Paino: 4,2 kg + laukaisupoljin 0,7 kg

**Pöytä**

(sisältyy toimitukseen)  
 Leveys: 250 mm  
 Pituus: 150 mm  
 Paino: 0,7 kg

**SINKILÄT**

- C. Alkuperäiset Rapid-sinkilät 66/6 ja 66/8, 210 sinkilää/lipas.

**LISÄVARUSTEET**

- D. Valojohtin kahden tai useamman nitomakoneen yhteiskäyttöä varten.

**RAPID 105:N LISÄVARUSTEET**

- E. Laukaisupoljin.  
 F. Ruuvipuristin pöytään kiinnittämistä varten (asento säädettävissä).

- G. Teollisuuspöytä, johon voi kiinnittää jopa 4 nitomakonetta (kiinnitysasento säädettävissä, pöydän koko 145\_300 mm), 2 kpl asennuslevyjä mukana.

**RAPID 106:N LISÄVARUSTEET**

- H. Kapea pöytä (60 mm) ja erikoisalasin. Pöytään kuuluu 2 paperinrajoitinta, joihin voi myös kiinnittää yhdessä käytettäviä nitomakoneita.  
 I. Satulakisko tarvikkeineen, yhdelle tai useammalle koneelle.  
 J. Rapid vaihtoyksikkö 252-106 rengassinkilöitä (Rapid 66/6R) varten.  
 K. Rengassinkilä Rapid 66/6R.

2

**LIITTÄMINEN SÄHKÖVERKKOON**

Jännite 220 V on merkitty laitteen tyyppikilpeen (sijainti: ks. kuva). Tarkasta ennen verkkoon liittämistä, että verkon jännite on oikea. Katkaise virta, kun laitetta ei käytetä.

**SINKILÄT**

Käytä vain alkuperäisiä Rapid sinkilöitä 66/6 tai 66/8. Muut sinkilät voivat vaurioittaa laitetta tai ne eivät pidä kunnolla.

3

**SINKILÖIDEN LATAAMINEN**

1. Nosta suojus (3) - laitteen toiminta on estynyt.
2. Paina lippaan salpaa (7), joka on nitomayksikön etupuolella, ja vedä lipas (6) ulos.
3. Käytä sinkilöitä Rapid 66/6, kun nidottavan materiaalin paksaus on 0-2 mm (enintään 20 arkkiä 80 gr/m<sup>2</sup> kopiopaperia), tai Rapid 66/8, kun nidottavan materiaalin paksaus on 2-5 mm (enintään 50 arkkiä).
4. Paina lipas niin pitkälle, että se lukkiutuu paikalleen.
5. Käännä suojuksen alas.

4

**NIDONTASYVYYDEN ASETUS**

Koneessa on laukaisulaite nitomayksikön kummallakin puolella. Ne toimivat toisistaan riippumatta.

1. Nosta suojus (3).
2. Käännä nuppia (10) myötäpäivään ja siirrä laukaisuvarsi (9) samalla haluttuun asentoon.
3. Vapauta nuppi (10). Laukaisuvarsi lukkiutuu paikalleen.
4. Laukaisuvarsi (9), jota nidottava materiaali koskettaa ensin, laukaisee koneen.
5. Kun useita koneita on kytketty yhteen, ”orjalaitteiden” laukaisuvarsia voi käyttää nidottavan

materiaalin ohjaimina (ne eivät laukaise konetta). Varsien asento säädetään edellä olevien ohjeiden mukaan.

- Käännä suojus (3) alas.
- Nitominen: paina nidottava materiaali laukaisuvartta (9) vasten.

## 5

**ISKUVOIMAN SÄÄTÖ**

- Voit valita nitomisen siirtämällä alasinta (8) eteen tai taaksepäin (koskee mallia Rapid 105).
  - Käännä päävirtakytkin (1) asentoon 1, jolloin sen merkivalo palaa.
  - Kokeile toimintaa painamalla nidottava materiaali laukaisuvartta (9) vasten.
  - Tarkasta tulos. Jos iskuvoima on liian pieni, sinkilä ei taitu kunnolla - käännä iskuvoiman säädin (2) suuremman numeron kohdalle. Jos iskuvoima on liian suuri, kone on meluisa ja kuluu nopeammin. Kun iskuvoima on säädetty oikein, kone nitoo tehokkaimmin ja on hiljainen.
  - Älä laukaise konetta, jos siinä ei ole nidottavaa materiaalia. Sinkilä voi juuttua nitomayksikköön.
  - Älä nido useita sinkilöitä päällekkäin. Sinkilä voi juuttua nitomayksikköön.
- VAROITUS! ÄLÄ TYÖNNÄ SORMIA NITOMAYKSIKÖN ALLE.**

6 **LAUKAISUPOLKIMEN (14) KÄYTTÄMINEN**

- Katkaise virta virtakytkimellä (1) tai nosta suojus (3).
- Liitä laukaisupolkimen johdin laitteen takosassa olevaan liittimeen (12).
- Laukaisuvarsia (9) voi nyt käyttää materiaalin ohjaimina, sillä ne eivät laukaise konetta, kun poljin on liitetty. Säädä nitomasyyvyys halutuksi edellä olevien ohjeiden mukaan.
- Laske suojus (3) alas, kytke virta.
- Laukaise kone polkimella (14).

## 7

**USEAN NITOMAKONEEN (ORJAYKSIKÖN) YHTEISKÄYTTÖ**

- Katkaise virta virtakytkimellä (1) tai nosta suojus (3).
- Sijoita koneet tarpeen mukaan.
- Kytke kaikki koneet sähköverkkoon.
- Valitse isäntälaitte (laukaisee muut yksiköt). Käännä luukkua (11) alaspäin ja kytke valokaapeli (lisävaruste) isäntälaitteen ylempään liittimeen. Se on merkitty poispäin osoittavalla nuolella (=lähtevä signaali).
- Avaa seuraavan laitteen luukku (11) ja kytke kaapelin toinen pää alempaan liittimeen. Se on merkitty liittimeen päin osoittavalla nuolella (= signaali sisään). Koneita ei voi laukaista orjan laukaisuvarellalla tai polkimella.

- Seuraava orjalaite kytetään valokaapelilla, joka kytetään ensimmäisen orjan ylempään liittimen (11) ja seuraavan orjan alemman liittimen (11) välille, ja niin edelleen.
- Kun isäntälaitteen laukaisuvartta tai poljinta painetaan, isäntälaitte toimii ensin. Orjalaitteet toimivat sitten viivästettynä yksitellen siinä järjestyksessä kuin ne on liitetty. Tällä tavoin estetään sähköverkon ylikuormittuminen.
- Orjalaitteiden laukaisuvarsia voi käyttää nidottavan materiaalin ohjaimina.

## 8

**RAPID 105 - KIINNITTÄMINEN TYÖPÖYTÄÄN**

- Irrota jalkalevy (20) koneesta ja jousi (22) jalkalevystä.
- Käännä jousta puoli kierrosta, jolloin sen reiällinen pää (24) ulottuu laitteen etupuolelle. Kiinnitä jousi neljällä ruuvilla tasaisesti koneen alapuolelle.
- Kiinnitä ruuvi työpöytäan niin, että jousen avoimen uran (23) saa työnnettyä ruuvin kannan alle. Kiinnitä laite pöytäan ruuvilla, joka asennetaan jousen etumaiseen reikään (24).

## 9

**RAPID 106 - PÖYDÄN KÄYTTÄMINEN**

- Asenna kone ja kiinnitä se lujasti (21). Virran on oltava katkaistuna.
- Löysää lukitusruuvi (15) ja käännä pöytä (16) satula- tai tasoasentoon. Pöydän asentoa muutettaessa on laukaisuvipujen (9) oltava sisimmässä asennossa. Tarkasta, että pöytä on kunnolla alasimen (8) ja tukisangan (19) varassa.
- Pöydässä on (16) neljä rajoitinta, joita voi säätää sivusuunnassa. Pöydän etureunan rajoittimia (18) voi siirtää painamalla niiden alaosaa. Rajoittimet voi kääntää alas, kun niitä ei tarvita; työnnä ne ulkoreunaan ja käännä ne alas. Pöydän lyhyen sivun rajoittimet (17) vapautetaan kiertämällä, minkä jälkeen niitä voi siirtää.

## 10

**HUOLTO**

- Poista koneeseen kertynyt pöly, sinkilät ja muu lika.
- Voitele nitomayksikkö parilla pisaralla ohutta öljyä (katso kuva) noin 10 000 käyttökerran jälkeen. Pyyhi liika öljy pois.

## 11

**TOIMINTAHÄIRIÖT**

- A Tarkasta nitomayksikön toiminta käsin.
- irrota nitomayksikköön juuttuneet sinkilät. Tarkasta, että sinkilät ovat tyypitään oikeat ja että nitomayksikkö ei ole vaurioitunut.

2. Vaihda nitomayksikkö, jos se on vaurioitunut tai kulunut.
- B. Käyttöjärjestelmä. Tarkasta, että:
  1. laite on liitetty sähköverkkoon ja virta on kytketty (virtakytkimen merkkivalo palaa).
  2. suojus (3) on alhaalla.
  3. oikea laukaisulaite on käytössä. Automaattilaukaisu kytkeytyy pois, kun koneeseen liitetään laukaisupoljin tai valokaapeli.
  4. laukaisugarret (9) palaavat herkästi eteenpäin ääriasentoonsa.
  5. iskuvoima on säädetty oikein.

Jos laite ei vielääkään toimi, toimita se maahantuojalle tai valtuutettuun huoltoon.

Älä käytä laitetta, jonka verkkojohdin tai pistotulppa on vaurioitunut.

**12**

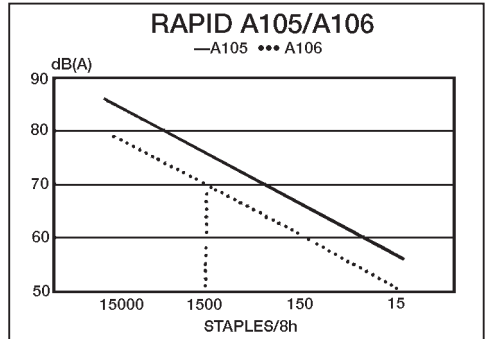
### NITOMAYKSIKÖN VAIHTO - RAPID 105

1. Irrota ruuvi (5) ja lukkolevy (13).
2. Vaihda nitomayksikkö. Työntötankoa on työnnettävä ylöspäin, kun uusi yksikkö asennetaan.
3. Kiinnitä lukkolevy (13).

**13**

### NITOMAYKSIKÖN VAIHTO - RAPID 106

1. Irrota lukitusruuvi (15) ja nosta pöytä (16) pois paikaltaan.
2. Irroita ruuvit (26) kummaltakin puolelta ja vedä nitomayksikköä (4) ulospäin. Nosta työntötankoa (28) ja ota nitomayksikkö pois.
3. Asenna uusi nitomayksikkö viemällä ensin tukisanka (19) "auki" -asennossa alasimen (8) yli.
4. Nosta työntötankoa (28) ja aseta tukisanka (19) niin, että sen kapea kärki osoittaa koneeseen päin.
5. Työnnä nitomayksikkö sisään työntötangon ollessa ylhäällä. Huomaa: katso, että tukisangan (19) kärki menee paikalleen.
6. Säädä nitomayksikön asento alasimen suhteen ennen nitomista. Säättämiseen käytetään laitteen mukana toimitettavaa säätölevyä. Vedä lipas ulos ja työnnä säätölevy alakautta sinkiläaukkoon. Työnnä lipas paikalleen. Paina nitomayksikköä niin voimakkaasti, että säätölevy sopii alasimeen. Paina nitomayksikköä ja kiristä ruuvit (26). Poista säätölevy ja kokeile toimitintaa.
7. Asenna pöytä paikalleen. HUOM! Pöydän tuki, ruuvi ja lukitusruuvi (15) tulee sijoittaa putkirungon eteen.



Ekvivavlentti äänentaso dB(A) suurimmalla ja lyöntivoimalla.

Eksim. 1440 sinkilää 8 tunnissa saa aikaan 70 dB(A) (A106).

Äänen mittaukset ISO 7779:n sekä täydennyseh-dotuksen "sähkönitojat: Äänitestikoodi" mukkan. Raja-arvo 70 dB(A) ekvivalentti äänentaso on Saksassa korkein sallittu äänentaso yleisissä tiloissa, kuten myymälöissä, lentokenttien ilmoit-tautumistiloissa, vastaanotoissa ja muissa vas-taavissa tiloissa.

## ΟΔΗΓΙΕΣ ΑΣΦΑΛΟΥΣ ΧΡΗΣΗΣ

1. Μελετήστε αυτές τις οδηγίες και τις οδηγίες χρήσεως.
2. Φυλάξτε το έντυπο οδηγιών.
3. Ακολουθείτε τις προειδοποιήσεις και τα δεδομένα του μηχανήματος. Χρησιμοποιείτε το μηχάνημα μόνο για τις εργασίες για τις οποίες προορίζεται.
4. Όταν καθαρίζετε το μηχάνημα, να μην είναι συνδεδεμένο με το ρεύμα. Μη χρησιμοποιείτε υγρά καθαρισμού ή σπρέυ. Χρησιμοποιείτε μαλακό ύφασμα.
5. Μη χρησιμοποιείτε το μηχάνημα σε συνδυασμό με νερό, πχ. στο αντικείμενο που θα ραφτεί.
6. Φροντίστε το μηχάνημα να είναι σταθεροποιημένο καλά.
7. Αν το μηχάνημα είναι εφοδιασμένο με γειωμένο καλώδιο, να το συνδέσετε σε γειωμένη μπρίζα. Αυτό είναι μέτρο ασφάλειας.
8. Αν τα σφάλματα δεν διορθώνονται με τις οδηγίες αυτού του εγχειριδίου, ελάτε σε επαφή με τον αντιπρόσωπο ή το τμήμα συντήρησης.  
Κάνετε μόνο τις ρυθμίσεις που αναφέρονται στο βιβλίο οδηγιών χρήσεως.
9. Στις παρακάτω περιπτώσεις οι διορθώσεις να γίνονται μόνο από έμπειρο και εξουσιοδοτημένο προσωπικό συντήρησης:
  - A. Όταν το καλώδιο και ο ρευματολήπτης έχουν υποστεί βλάβη.
  - B. Αν έχει μπει υγρασία στο μηχάνημα.
  - Γ. Αν έχει βρέξει ή έχει πέσει νερό στο μηχάνημα.
  - Δ. Αν το μηχάνημα δεν λειτουργεί ικανοποιητικά, παρόλο που ακολουθήσατε τις οδηγίες χρήσεως.
  - E. Αν το μηχάνημα έπεσε κάτω ή το περίβλημά του έπαθε βλάβες.
  - Z. Αν το μηχάνημα παρουσιάζει σημαντική διαφορά λειτουργίας σε σχέση με την κανονική.
10. Κρατάτε τα δάκτυλα μακριά από την περιοχή ραφής.
11. Διακόψτε το ρεύμα πριν την καθαριότητα, τη ρύθμιση και μετακίνηση του μηχανήματος.
12. Μην επιτρέπετε σε παιδιά να χρησιμοποιούν το μηχάνημα χωρίς επιτήρηση υπεύθυνου.

## ΕΙΚΟΝΟΛΕΞΙΚΟ

- |  |                                     |
|--|-------------------------------------|
| 1. Κεντρικός διακόπτης                     | 13. Μεταλλικό προστατευτικό κάλυμμα |
| 2. Ρυθμιστής δύναμης κρούσης               | 14. Ποδοκίνητη σκανδάλη             |
| 3. Διαφανής προστατευτική πλάκα            | 15. Ακτινωτή μπετούγια              |
| 4. Συρραπτικό έμβολο                       | 16. Έδρανο                          |
| 5. Βίδα                                    | 17. Στοπ χαρτιών                    |
| 6. Θήκη                                    | 18. Στοπ χαρτιών                    |
| 7. Ασφάλεια θήκης                          | 19. Έδρανο σύνδεσης                 |
| 8. Άκμωνας                                 | 20. Βάση                            |
| 9. Σκανδάλη (ρυθμίσιμη)                    |                                     |
| 10. Ρυθμιστική μπετούγια, βάθος εισχώρησης |                                     |
| 11. Επαφή σύνδεσης οπτικού καλωδίου        |                                     |
| 12. Επαφή σύνδεσης ποδοκίνητης σκανδάλης   |                                     |

Στις παραγγελίες ανταλλακτικών να σημειώνετε τον αριθμό ανταλλακτικού σύμφωνα με τον κατάλογο 197 79-8.

1

**ΠΕΡΙΓΡΑΦΗ ΠΡΟΪΟΝΤΟΣ**

A. Rapid 105 Επιτραπέζια συρραπτική  
 B. Rapid 106 Συρραπτική γωνίας (σαμαράκι) με δυνατότητα επίπεδης συρραφής.  
 Τα μηχανήματα μπορούν να διασυνδεθούν για συρραφή με πολλούς συνδετήρες συγχρόνως. Η διασύνδεση γίνεται με οπτικό καλώδιο. Ελάχιστη απόσταση συρραφής 60 mm. Κάθε μηχανήμα είναι εφοδιασμένο με διπλούς, ανεξάρτητους μεταξύ τους, μηχανισμούς σκανδάλης. Το βάθος εισχώρησης συνδετήρα είναι αδιαβάθμητα ρυθμίσιμο από 0-100 mm. Η συρραφή γίνεται αυτόματα μόλις το αντικείμενο χτυπήσει το μηχανισμό σκανδάλης. Ποδοκίνητη σκανδάλη συνοδεύει το Rapid 106, ενώ για το Rapid 105 διαθέτεται ως αξεσουάρ. Τα μηχανήματα διαθέτουν εύκολα αντικαθιστώμενα συρραπτικά έμβολα. Τα μηχανήματα διαθέτουν απόσβεση ραδιοπαρασίτων.

**ΔΙΑΣΤΑΣΕΙΣ****Rapid 105**

Πλάτος: 60 mm (με τη βάση 100 mm)  
 Μήκος: 250 mm (με τη βάση 255 mm)  
 Ύψος: 238 mm (με τη βάση 245 mm)  
 Βάρος: 3,6 kg

**Rapid 106**

(χωρίς έδρανο στερέωσης)  
 Πλάτος: 60 mm  
 (Ακμονας: 84 mm)  
 Μήκος: 250 mm  
 Ύψος: 438 mm

Βάρος: 4,2 kg + ποδοκίνητη σκανδάλη 0,7 kg.

**Έδρανο στερέωσης**  
 (συνοδεύει το εμπόρευμα)  
 Πλάτος: 250 mm  
 Μήκος: 150 mm  
 Βάρος: 0,7 kg

**ΣΥΝΔΕΤΗΡΕΣ (ΚΑΡΦΙΤΣΕΣ)**

C. Συνδετήρες Original Rapid 66/6 και 66/8, 210 συνδετήρες / στη θήκη.

**ΞΕΤΡΑ ΑΞΕΣΟΥΑΡ**

D. Οπτικό καλώδιο για διασύνδεση δύο ή περισσότερων συρραπτικών

**ΞΕΤΡΑ ΑΞΕΣΟΥΑΡ ΓΙΑ RAPID 105**

E. Ποδοκίνητη σκανδάλη.  
 F. Σφιχτήρας για στερέωση σε έδρανο.  
 G. Βιομηχανικό έδρανο για ρυθμίσιμη εφαρμογή το ανώτερο 4 συρραπτικών, (διάσταση 145X300mm). 2 τεμ. έδρανα συναρμολόγησης συνοδεύουν το εμπόρευμα.

**ΞΕΤΡΑ ΑΞΕΣΟΥΑΡ ΓΙΑ RAPID 106**

H. Στενό έδρανο ( 60 mm) με ειδικό άκμονα. Έδρανο εφοδιασμένο με 2 στοπ χαρτιού, τα οποία επίσης μπορούν να χρησιμοποιηθούν για σταθεροποίηση διασυνδεδεμένων συρραπτικών.  
 I. Ράβδος με παρελκόμενα για γωνιακή ραφή, για μία ή περισσότερες συρραπτικές.  
 J. Rapid 252-106 συρραπτικό έμβολο για δακτυλιδωτούς συνδετήρες (Rapid 66/6R).  
 K. Δακτυλιδωτοί συνδετήρες Rapid 66/6R.

2

**ΣΥΝΔΕΣΗ**

Η τάση ρεύματος είναι σημειωμένη στην πινακίδα του μοντέλου (βλ.την εικ.). Πριν τη σύνδεση στο δίκτυο, ελέγξτε ότι ο ρευματολήπτης παρέχει σωστή τάση. Διακόψτε το ρεύμα όταν δεν χρησιμοποιείτε το μηχάνημα.

**ΣΥΝΔΕΤΗΡΕΣ**

Χρησιμοποιείτε μόνο γνήσιους συνδετήρες Rapid 66/6 ή 66/8. Άλλοι συνδετήρες μπορεί να προκαλέσουν είτε ζημιά στο μηχάνημα, είτε κακή συρραφή.

3

**ΓΕΜΙΣΜΑ ΣΥΝΔΕΤΗΡΩΝ**

1. Σηκώστε τη διαφανή προστατευτική πλάκα (3) – διακόπεται η λειτουργία ραφής.
2. Πιέστε κάτω το διακόπτη ασφάλειας της θήκης (7) στο πρόσθιο τμήμα του συρραπτικού εμβόλου και βγάλτε τη θήκη (6).
3. Γεμίστε με συνδετήρες, Rapid 66/6 για αντικείμενα πάχους από 0-2 mm (όσο περίπου 20 φύλλα χαρτιού 80 g/m<sup>2</sup>) ή Rapid 66/8 για αντικείμενα πάχους από 2-5 mm (αντίστοιχο περίπου 50 φύλλων χαρτιού).
4. Σπρώξτε τη θήκη στη θέση της μέχρι να ασφαλίσει.
5. Κατεβάστε την προστατευτική πλάκα.

4

**ΡΥΘΜΙΣΗ ΒΑΘΟΥΣ ΕΙΣΧΩΡΗΣΗΣ ΣΥΝΔΕΤΗΡΩΝ**

Το μηχάνημα διαθέτει δύο σκανδάλες, μία σε κάθε πλευρά του συρραπτικού εμβόλου. Οι σκανδάλες λειτουργούν ανεξάρτητα.

1. Ανασηκώστε την προστατευτική πλάκα (3).
2. Στρίψτε την μετουγία (10) προς τ' αριστερά καθώς φέρνετε τη σκανδάλη (9) στη θέση που θέλετε.
3. Αφήστε τη μετουγία. Η σκανδάλη σταθεροποιήθηκε έτσι.

4. Όποια σκανδάλη πρωτοσυναντιέται απ' το υλικό, αυτή ενεργοποιεί το μηχανισμό συρραφής.
5. Σε περισσότερα διασυνδεδεμένα συρραπτικά μπορούν οι σκανδάλες στα "συρραπτικά-εργάτες" να χρησιμοποιηθούν ως στήριγμα του αντικειμένου (επειδή δεν ελευθερώνονται κατά τη συρραφή), αφού ρυθμιστούν όπως περιγράφεται παραπάνω.
6. Κατεβάστε την προστατευτική πλάκα.
7. Συρραφή: σπρώξτε το αντικείμενο προς τη σκανδάλη (9).

## 5 ΡΥΘΜΙΣΗ ΔΥΝΑΜΗΣ ΚΡΟΥΣΗΣ

1. Διαλέξτε συρραφή ή τρύπημα μεταφέροντας τον άκμωνα (8) προς τα εμπρός ή πίσω. (Ισχύει για το Rapid 105).
2. Φέρτε τον κεντρικό διακόπτη (1) στη θέση :1, η λάμπα του διακόπτη ανάβει.
3. Ράψτε δοκιμαστικά στο αντικείμενο σπρώχνοντάς το προς την σκανδάλη (9).
4. Εξετάστε την καρφίτσα. Πολύ χαμηλή δύναμη κρούσης διαπιστώνεται από το κακό λύγισμα των άκρων της καρφίτσας. – φέρτε το ρυθμιστή κρούσης (2) σε μεγαλύτερο νούμερο. Πολύ υψηλή δύναμη κρούσης προκαλεί υψηλό θόρυβο και αδικαιολόγητη φθορά στο μηχανήμα. Σε σωστή ρύθμιση το μηχανήμα ράβει άριστα και με χαμηλό θόρυβο.
5. Ποτέ μην ράβετε χωρίς αντικείμενο, επειδή οι καρφίτσες μπλοκάρουν την έξοδο.
6. Μην ράβετε περισσότερες καρφίτσες τη μια πάνω στην άλλη, επειδή οι καρφίτσες μπλοκάρουν την έξοδο.  
ΠΡΟΣΟΧΗ! ΜΗΝ ΦΕΡΝΕΤΕ ΤΑ ΔΑΚΤΥΛΑ ΚΑΤΩ ΑΠΟ ΤΟ ΕΜΒΟΛΟ ΡΑΦΗΣ.

## 6 ΧΡΗΣΗ ΠΟΔΟΚΙΝΗΤΗΣ ΣΚΑΝΔΑΛΗΣ

1. Διακόψτε το ρεύμα απ' τον κεντρικό διακόπτη (1) ή σηκώστε την προστατευτική πλάκα (3).
2. Συνδέστε την επαφή της ποδοκίνητης σκανδάλης στην επαφή (12), στο οπίσθιο τμήμα του μηχανήματος.
3. Οι σκανδάλες (9) μπορούν τώρα να χρησιμοποιηθούν ως στοπ του αντικειμένου, επειδή δεν λειτουργούν ως σκανδάλες, όταν έχετε συνδεδεμένη την ποδοκίνητη. Ρυθμίστε το σημείο ραφής στο βάθος που θέλετε.
4. Κατεβάστε την προστατευτική πλάκα, ανοίξτε το διακόπτη ρεύματος.
5. Αρχίστε τη συρραφή με την ποδοκίνητη σκανδάλη (14).

## 7 ΔΙΑΣΥΝΔΕΣΗ ΠΟΛΛΩΝ ΣΥΡΡΑΠΤΙΚΩΝ (ΣΥΡΡΑΠΤΙΚΑ-ΕΡΓΑΤΕΣ)

1. Διακόψτε το ρεύμα με τον κεντρικό διακόπτη (1) ή σηκώστε την προστατευτική πλάκα (3).
2. Τοποθετήστε τις συρραπτικές μηχανές όπως θέλετε.
3. Συνδέστε όλες τις μηχανές στο ρεύμα.
4. Αποφασίστε ποιό μηχανήμα θα είναι το κύριο (που θα ενεργοποιεί τις ραφές). Κατεβάστε το καπάκι (11) και συνδέστε το οπτικό καλώδιο (εξτρά αξεσουάρ) στην πάνω επαφή του κύριου συρραπτικού μηχανήματος. Η έξοδος είναι μαρκαρισμένη με βέλος από την έξοδο (=εξερχόμενο σήμα).
5. Συνδέστε την άλλη επαφή του καλώδιου στην κάτω επαφή του επόμενου μηχανήματος – εργάτη, αφού κατεβάσετε το καπάκι (11). Επαφή μαρκαρισμένη με βέλος προς την επαφή (=εισερχόμενο σήμα). Η ραφή δεν ενεργοποιείται με τη σκανδάλη του συρραπτικού-εργάτη ή την ποδοκίνητη σκανδάλη.
6. Η επόμενη συρραπτική-εργάτης συνδέεται με οπτικό καλώδιο από την πάνω επαφή (11) του προηγούμενου συρραπτικού-εργάτη στην κάτω επαφή (11) της επόμενης κ.ο.κ. (συνεχίζεται)
7. Μόλις η σκανδάλη του κύριου συρραπτικού ή η ποδοκίνητη δεχτεί πίεση, τότε ενεργοποιείται η λειτουργία ραφής της κύριας συρραπτικής. Οι συρραπτικές-εργάτες ακολουθούν διαδοχικά, με μια μικρή καθυστέρηση, για να μην υπερφορτιστεί το δίκτυο ρεύματος.
8. Οι σκανδάλες των συρραπτικών-εργατών μπορούν να χρησιμοποιούνται ως στοπ των αντικειμένων που καρφισώνονται.

## 8 RAPID 106-ΣΤΕΡΕΩΣΗ ΣΕ ΕΔΡΑΝΟ ΕΡΓΑΣΙΑΣ

1. Αφαιρέστε από το μηχανήμα τη βάση (20) και το ελατήριο (22) της βάσης.
2. Στρέψτε το ελατήριο κατά μισή στροφή, ώστε το άκρο του με την τρύπα (24) να προεξέχει απ' το μηχανήμα. Βιδώστε επίπεδα το ελατήριο με τις τέσσερις βίδες, στο κάτω μέρος του μηχανήματος. Προσέξτε, οι βίδες είναι βίδες αυτοβιδωνόμενες.
3. Βιδώστε μια βίδα στο τραπέζι εργασίας και φροντίστε η εγκοπή του ελατηρίου (23) να περάσει κάτω από την κεφαλή της βίδας. Σταθεροποιήστε το μηχανήμα στο έδρανο βιδώνοντας την μπροστινή τρύπα (24) του ελατηρίου.



## 9 RAPID 106–ΧΡΗΣΗ ΕΔΡΑΝΟΥ ΕΡΓΑΣΙΑΣ

1. Τοποθετείστε το μηχάνημα και σταθεροποιείστε το (21). Έχετε κομμένο το ρεύμα.
2. Διαλέξτε στο έδρανο (16) συρραφή επίπεδη ή γωνιακή, αφού χαλαρώσετε την ακτινωτή μπετούγια (15). Σε νέο ρύθμιση του έδρανου να φέρετε τις σκανδάλες (9) όσο πίσω γίνεται. Ελέγξτε ότι το έδρανο κάθεται σωστά στον άκμονα (8) και το έδρανο σύνδεσης (19).
3. Το έδρανο (16) έχει τέσσερα στοπ, που μπορούν να ρυθμιστούν πλευρικά. Τα δύο στοπ (18) στο μπροστινό μέρος μετακινούνται, αφού πρώτα πιέσετε το κάτω μέρος τους. Τα στοπ, όταν δεν χρησιμοποιούνται, μπορούν να στραφούν προς τα κάτω, αφού τα πιέσετε πρώτα στο εξωτερικό άκρο τους και μετά τα στρίψετε. Τα δύο στοπ (17) στα κοντά πλαιία μεταφέρονται πλευρικά, αφού πρώτα τα στρέψετε.

## 10 ΣΥΝΤΗΡΗΣΗ

1. Αφαιρείτε σκόνη, καρφίτσες και άλλα περιττά αντικείμενα που μαζεύτηκαν στο μηχάνημα.
2. Λαδώστε, μετά από 10.000 περίπου καρφισώματα, το συρραπτικό έμβολο με δυο τρεις σταγόνες λεπτό λάδι, στο σημείο που δείχνει η πλαιϊνή εικόνα. Σκουπίστε το παραπάνω λάδι.

## 11 ΠΡΟΒΛΗΜΑΤΑ ΛΕΙΤΟΥΡΓΙΑΣ

- A. Δοκιμάστε με το χέρι τη λειτουργία του συρραπτικού εμβόλου.
1. Βγάλτε τις καρφίτσες που μάγγωσαν στην έξοδο. Βεβαιωθείτε ότι χρησιμοποιείτε σωστό μέγεθος καρφίτσας και ότι η έξοδος δεν έχει βλάβες.
  2. Αντικαταστήστε συρραπτικό έμβολο που έπαθε βλάβη ή φθορά.
- B. Σύστημα λειτουργίας.
- Βεβαιωθείτε :
1. ότι το μηχάνημα είναι συνδεδεμένο με το ρεύμα και ότι ο διακόπτης είναι ανοικτός (ανάβει η λάμπα).
  2. ότι η προστατευτική πλάκα είναι κατεβασμένη.
  3. ότι χρησιμοποιείτε σωστή σκανδάλη. Ο αυτόματος μηχανισμός συρραφής αποσυνδέεται, όταν συνδεθεί η ποδοκίνητη σκανδάλη ή το οπτικό καλώδιο.
  4. ότι οι σκανδάλες (9) αφού δεχτούν πίεση επαναφέρονται εύκολα προς τα εμπρός σε μια προκαθορισμένη θέση, πριν επαναληφθεί το καρφισώμα.
  5. ότι έχετε σωστή ρύθμιση κρουστικής δύναμης.

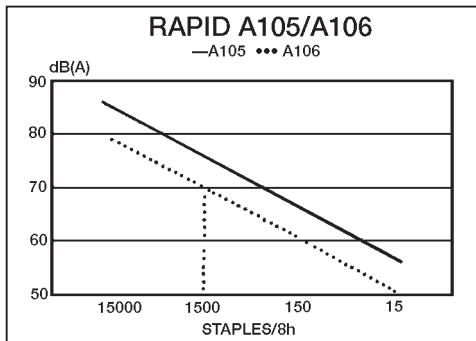
Εάν εξακολουθείτε να έχετε προβλήματα λειτουργίας, παραδώστε το μηχάνημα στον έμπορό σας ή σε εξουσιοδοτημένο εργαστήριο για συντήρηση. Μη χρησιμοποιείτε το μηχάνημα με ελαττωματικό καλώδιο ή μπρίζα.

## 12 ΑΛΛΑΓΗ ΣΥΡΡΑΠΤΙΚΟΥ ΕΜΒΟΛΟΥ – RAPID 105

1. Αφαιρέστε το μεταλλικό κάλυμμα (13) και την βίδα του (5).
2. Αλλάξτε το συρραπτικό έμβολο. Αν βάζετε καινούργιο συρραπτικό έμβολο, θα πρέπει το έμβολο κρούσης (28) να πιεστεί προς τα πάνω.
3. Βιδώστε το μεταλλικό κάλυμμα (13).

## 13 ΑΛΛΑΓΗ ΣΥΡΡΑΠΤΙΚΟΥ ΕΜΒΟΛΟΥ – RAPID 106

1. Αφαιρέστε την ακτινωτή μπετούγια (15) και τη βίδα της καθώς και το έδρανο (16).
2. Χαλαρώστε τις δυο βίδες (26) και τραβήξτε έξω το συρραπτικό έμβολο. Πιέστε προς τα πάνω το κρουστικό έμβολο (28) και αφαιρέστε το συρραπτικό έμβολο.
3. Μοντάρτε το νέο συρραπτικό έμβολο, αφού πρώτα περάσετε το έδρανο σύνδεσης (19) με την κάμψη προς τα κάτω ακουμπώντας το πάνω στον άκμονα (8).
4. Πιέστε προς τα πάνω το κρουστικό έμβολο (28) και ρυθμίστε το έδρανο σύνδεσης (19) έτσι, ώστε η στενή του λωρίδα να βλέπει προς το μηχάνημα.
5. Περάστε το συρραπτικό έμβολο καθώς συγκρατείτε το κρουστικό. Προσοχή: φροντίστε η λωρίδα του έδρανο σύνδεσης να μπει στην οπή που το διευθύνει.
6. Πριν τη συρραφή είναι αναγκαίο να γίνει ρύθμιση της θέσης του συρραπτικού έμβολου σε σχέση με τον άκμονα. Η ρύθμιση γίνεται με τη βοήθεια της ρυθμιστικής πλάκας (27) που παραδίδεται μαζί με το μηχάνημα. Τραβήξτε προς τα έξω τη θήκη και περάστε από κάτω τη ρυθμιστική πλάκα στην έξοδο των συνδετήρων. Πιέστε κάτω το συρραπτικό έμβολο με δύναμη, ώστε η ρυθμιστική πλάκα να εφαρμόσει στον άκμονα. Κρατήστε πιεσμένο κάτω το συρραπτικό έμβολο και σφίξτε τις βίδες (26). Βγάλτε τη ρυθμιστική πλάκα και ράψτε δοκιμαστικά.
7. Μοντάρτε το έδρανο. ΠΡΟΣΟΧΗ! Η αντηρίδα, η βίδα και η ακτινωτή μπετούγια (15) να βρίσκονται μπροστά απ' το σωληνωτό πλαιίο.



Ισοδύναμο επίπεδο ήχου dB(A) σε μέγιστη απόδοση και κρουστική δύναμη.

Πχ. 1440 συνδετήρες σε 8 ώρες παράγουν 70dB(A) (A106).

Οι μετρήσεις ήχων έγιναν σύμφωνα με την ISO 7779 και τη συμπληρωματική πρόταση για "Ηλεκτρικές συρραπτικές: Κώδικες ελέγχου θορύβων"

Το όριο 70dB(A) ισοδύναμου επιπέδου ήχων αποτελεί απαίτηση στη Γερμανία και είναι το ανώτατο επίπεδο για χρήση του μηχανήματος σε δημόσιους χώρους, πχ. καταστήματα, εξυπηρέτηση σε αεροδρόμια, ρεσεψιόν και τα παρόμοια.

# ПРАВИЛА БЕЗОПАСНОСТИ

1. Прочтите эту инструкцию целиком.
2. Сохраните эту инструкцию для дальнейшего использования.
3. Следуйте всем предупреждениям и инструкциям, указанным на степлере.
4. До начала чистки устройства, выньте вилку из розетки. Нельзя использовать жидкие вещества или аэрозоль для чистки машины, используйте влажную ткань для чистки.
5. Нельзя использовать машину близко от воды.
6. Не устанавливайте машину на неустойчивых передвижных столах, подставках. Машина может упасть, что приведет к серьезным повреждениям.
7. Эта модель снабжена 3-х проводной вилкой с заземлением. Эта вилка должна монтироваться с розеткой, имеющей заземление. Это одна из мер безопасности. Если вы не можете вставить вилку в розетку, обращайтесь к специалистам для установки соответствующей розетки. Не допускается демонтировать вилку с заземляющим контактом.
8. Не пытайтесь обслуживать эту машину самостоятельно. Открытие крышек или их снятие может привести к поражению высоким напряжением или другим травмам. Всегда обращайтесь в сервис.
9. Отстыкуйте вилку от розетки и обращайтесь в сервис за квалифицированной помощью в следующих случаях:
  - A. Когда сетевой кабель или вилка повреждены или изношены.
  - B. Если жидкость попала внутрь машины.
  - C. Если машина подверглась воздействию дождя или воды.
  - D. Если машина работает не нормально при соблюдении инструкции по эксплуатации. Настраивайте только согласно инструкции по эксплуатации, так как неправильные регулировки могут привести к повреждениям и потребуют затем привлечения квалифицированного технического специалиста для восстановления работоспособности машины.
  - E. Если степлер упал или поврежден его корпус.
  - F. Если машина показывает явные изменения в выполнении работы, необходимо провести техническое обслуживание.
10. Берегите пальцы от попадания в зону действия степлирующего механизма.
11. Перед чисткой машины, ее установкой или перемещением убедитесь, что она отключена от сети.
12. Не позволяйте детям использовать устройство без контроля со стороны ответственных лиц.

## ПЕРЕЧЕНЬ ТЕРМИНОВ

1. Сетевой выключатель
2. Регулятор силы удара
3. Прозрачный шиток
4. Степлирующая головка
5. Винт
6. Магазин
7. Рычаг освобождения магазина
8. Наковальня
9. Триггер (настраиваемый)
10. Ручка настройки глубины степлирования (триггер)
11. Разъем для оптокабеля
12. Разъем для ножной педали управления
13. Запорная пластинка
14. Педаль ножного управления
15. Ручка укрепления стола
16. Стол
17. Направляющая бумаги
18. Направляющая бумаги
19. Пластина защелки
20. Основание

Когда заказываете запасные части, используйте номера приведенные в листе запасных частей 197 79-8

**1**

**ОПИСАНИЕ МАШИНЫ**

- A. RAPID 105 Настольный степлер.
- B. RAPID 106 Степлерование внакидку  
возможность горизонтальной установки стола.

Может объединяться несколько устройств для одновременного использования. Соединение - оптокабель. Минимальное расстояние между центрами - 60мм.

Каждое устройство снабжено независимым двухсторонним триггером. Настройка глубины степлирования от 0 до 100 мм.

Степлирование осуществляется автоматически, после вставления материала. Педаль ногого управления входит в комплектацию модели Rapid 106 и является дополнительным оборудованием для модели Rapid 105.

Устройства имеют возможность легкой замены и установки встроенных степлирующих механизмов.

Предусмотрено устройство подавления радиопомех.

**РАЗМЕРЫ**

**Rapid 105**

Ширина: 60 мм (с подставкой 100 мм)  
 Длина: 250 мм (с подставкой 255 мм)  
 Высота: 238 мм (с подставкой 245 мм)  
 Вес: 3,6 кг

**Rapid 106  
(без стола)**

Ширина: 60 мм  
 (Наковальня: 84 мм)  
 Длина: 250 мм  
 Высота: 438 мм  
 Вес: 4,2 кг + педаль 0,7 кг

**Стол**

Ширина: 250 мм  
 Длина: 150 мм  
 Вес: 0,7 кг

**СКОБЫ**

C. Оригинальные скобы Rapid 66/6 и 66/8, емкость магазина 210 скоб.

**ДОПОЛНИТЕЛЬНЫЕ ПРИНАДЛЕЖНОСТИ**

D. Оптокабель для подсоединения двух и более устройств.

**ДОПОЛНИТЕЛЬНЫЕ  
ПРИНАДЛЕЖНОСТИ ДЛЯ RAPID 105**

- E. Ножная педаль управления.
- F. Струбцина для регулировки и крепления к столу.
- G. Подставка для регулировки и крепления до 4-х степлеров вместе (размер 145 X 300 мм).  
Включается при поставке двух устройств.

**ДОПОЛНИТЕЛЬНЫЕ ПРИНАДЛЕЖНОСТИ  
ДЛЯ RAPID 106**

H. Узкий стол (60 мм) с заменяемой наковальней, снабженной двумя направляющими бумаги, которые могут также использоваться для скрепления соединяемых устройств.

- I. Бегунок с принадлежностями для седлового степлирования (внакидку) для одного или более степлеров.
- J. Rapid 252-106 вставляемый степлер для петлевых скоб (Rapid 66/6 R)
- K. Петлевая скоба типа Rapid 66/6 R.

**2**

**ПОДСОЕДИНЕНИЕ К СЕТИ**

Рабочее напряжение степлера указано на шильдике (смотри рисунок). До подсоединения устройства, убедитесь, что напряжение в розетке соответствует рабочему напряжению степлера. Выключайте сетевой выключатель, когда не используете степлер.

Примечание: Для степлеров с рабочим напряжением 115 V: Если степлер подсоединен к электросети, к которой подключены устройства, требующие большого количества энергии, такие как фотокопирующая техника, может произойти падение напряжения, что повлечет за собой нарушение степлирования.

**СКОБЫ**

Используйте только оригинальные скобы Rapid 66/6 66/8. Другой тип скоб может повредить степлер или результатом будет плохое скрепление.

**3**

**ЗАГРУЗКА**

1. Поднять прозрачный щиток (3).
2. Нажать на рычажок освобождения магазина (7) на передней части головки и потянуть магазин (6) на себя.
3. Загрузить скобы Rapid 66/6 для скрепления до 20 листов 80 г/м<sup>2</sup> или Rapid 66/8 для скрепления до 50 листов 80 г/м<sup>2</sup> бумаги (2-5 мм толщина).
4. Нажать магазин внутрь, пока он не запретя.
5. Опустить прозрачный щиток.

**4**

**НАСТРОЙКА ГЛУБИНЫ  
СТЕПЛИРОВАНИЯ**

Устройство снабжено двухсторонним триггером. Каждый триггер может быть использован независимо.

1. Поднять прозрачный щиток (3).
2. Повернуть одну из ручек (10) против часовой стрелки и передвинуть триггер (9) в желаемую позицию.
3. Опустить ручку. Триггер теперь считается установленным.
4. Триггер будет включать процесс степлирования при первом касании.
5. Когда соединены несколько устройств триггеры на "подчиненных" устройствах не вызывают процесс степлирования, а могут использоваться в качестве упоров. Настраиваются они, как указано выше.
6. Опустить прозрачный щиток.
7. Начать степлирование посредством нажатия степлирующих рычажков напротив триггеров (9).

5

**НАСТРОЙКА СИЛЫ УДАРА**

1. Выберите силу удара при опускании или поднятии наковальни (8). (Только для Rapid 105)
2. Включить сетевой выключатель (1) в позицию 1. Загорается лампочка внутри выключателя.
3. Сделать попытку степлирования, используя триггер (9).
4. Проверьте результат. Если сила слишком слаба, скобы загнуты не до конца, повернуть регулятор (2) силы удара. Слишком большая сила удара производит сильный шум и приводит к быстрому износу деталей степлера. Правильная настройка обеспечивает качественное степлирование и минимум шума.
5. Никогда не степлируйте без степлируемого материала - это приведет к забиванию выпускного отверстия скобами.
6. Никогда не степлируйте скобу поверх другой скобы, скобы будут заминаться в выпускном отверстии.

**ПРЕДУПРЕЖДЕНИЕ! БЕРЕГИТЕ ПАЛЬЦЫ ОТ ПОПАДАНИЯ В ЗОНУ ДЕЙСТВИЯ СТЕПЛИРУЮЩЕГО МЕХАНИЗМА**

6

**ИСПОЛЬЗОВАНИЕ ПЕДАЛИ НОЖНОГО УПРАВЛЕНИЯ (14)**

1. Выключить сетевой выключатель (1) или поднять прозрачный щиток (3).
2. Подсоединить педаль к розетке (12) на задней стороне устройства.
3. Триггер (9) может быть использован теперь как упор для степлируемого материала. Когда подключается педаль, они становятся неактивны. Настроить требуемую глубину степлирования, как описано выше.
4. Закрывать прозрачный щиток. Включить питание устройства.
5. Управляйте степлированием ножной педалью управления (14).

7

**СОЕДИНЕНИЕ ИЗ НЕСКОЛЬКИХ УСТРОЙСТВ ("ПОДЧИНЕННЫЕ" УСТРОЙСТВА)**

1. Выключить сетевой выключатель (1) или поднять прозрачный щиток (3).
2. Поместить устройства как требуется.
3. Подсоединить все устройства к главному.
4. Решите, какое из устройств будет главным (запускать степлирование). Нажмите вниз крышку (11) и подсоедините оптокабель (дополнительная принадлежность) для главного устройства - верхняя розетка. Она маркирована стрелкой, направленной от розетки (выходной сигнал).
5. Подсоединить кабели к другим устройствам, отодвинув крышку (11) вниз и вставив разъем кабеля в нижнюю розетку "подчиненного устройства". Она маркирована стрелкой, направленной к розетке (входной сигнал). Триггер или ножная педаль не будут управлять степлированием.
6. Следующее "подчиненное" устройство (нижний разъем) подсоединяется к верхнему разъему предыдущего устройства и так далее.

7. Когда главное устройство приводится в действие триггером или ножной педалью, сначала срабатывает главное устройство, а затем, с некоторым интервалом, "подчиненные". Это предотвращает перегрузку источника питания.
8. Триггеры в "подчиненных" устройствах могут теперь использоваться как упоры для степлируемого материала.

8

**RAPID 105 - УСТАНОВКА НА РАБОЧЕЙ ПОВЕРХНОСТИ**

1. Удалить основание (20) из машины и пружинную планку (22) из основания.
2. Повернуть пружинную планку на пол оборота так, чтобы конек с отверстием (24) выходил за переднюю часть устройства. Привинтить пружинную планку, прикрепить к нижней части устройства, используя 4 винта. **ВНИМАНИЕ!** Винты - саморезы.
3. Прикрепить к рабочей поверхности так, чтобы бегунок (23) на пружинной планке мог быть прижат под головкой винта. Прикрепить устройство винтом через переднее отверстие (24) на пружинной планке.

9

**RAPID 106 - ИСПОЛЬЗОВАНИЕ СТОЛА**

1. Установить устройство и жестко закрепить (21). Устройство должно быть выключено.
2. После ослабления фиксирующей ручки (15) выбрать одну из позиций стола(16) - прямую или седлообразную. Когда стол переустановлен, триггер (9) должен быть отведен назад в его спрятанную позицию. Проверьте, что стол установлен правильно по отношению к наковальне (8) и пластине защелки (19).
3. Стол (16) имеет 4 направляющих бумаги, которые могут быть настроены. Две направляющих (18) на передней кромке стола передвигаются при нажатии нижней части. Когда направляющие не требуются, их можно передвинуть за край стола и повернуть. Две направляющих бумаги (17) на короткой стороне стола могут быть передвинуты, если их сначала повернуть.

10

**ОБСЛУЖИВАНИЕ**

1. Удалить пыль, ослабив степлирующий механизм и другие части, которые могут собирать пыль.
2. Смазать степлирующий механизм, нанесено несколько капель жидкого масла после, примерно, 10000 степлирования, как показано на рисунке. Удалите излишки масла.

11

**НЕИСПРАВНОСТИ**

- А. Проверка степлирующей головки вручную.
  1. Удалить скобы из выпускного отверстия. Проверить, что используется правильный тип скоб, и что выпуск скоб не поврежден.

---

**ISABERG - RAPID AB**

BOX 115

S-330 27 HESTRA

SWEDEN

---